



PARTS CATALOGUE



DPBMC



PGD

MTN250-A (BFB1) MALAYSIA MT-25

MTN250-A
PARTS CATALOGUE
©2022 by Yamaha Motor Co., Ltd.
1st edition, September 2022
All rights reserved.
Any reprinting or unauthorized use
without the written permission of
Yamaha Motor Co., Ltd.
is expressly prohibited.
Printed in Japan.

FOREWORD

This Parts Catalogue is related to the parts for the model(s) on the cover page. When you are ordering replacement parts, please refer to this Parts Catalogue and quote both part numbers and part names correctly.

1. Modifications or additions which have been made after the issue of the Parts Catalogue will be announced in the Parts News.
It is advisable that you make the necessary corrections to the Parts Catalogue according to the Parts News.

2. Abbreviations

The following abbreviations are used in this Parts Catalogue.

“UR” Use specified parts number.

“UN” Use as many as needed.

“AP” Alternate Parts

“LM” Locally Made (Parts need to be ordered locally)

“F#” Frame No. (Applicable machine No.)

“O/S” Over Size

3. The number of components for assembly

- Parts, which are to be supplied in an assembly, are listed with a dot (.) in front of the part name as shown below.
- The numeral appearing to the right of each component part indicates the quantity of parts for each assembly unit.

PART NO.	DESCRIPTION	Q'TY	REMARKS
2F5-83310-60	FRONT FLASHER LIGHT ASSY	2	
115-83311-60	.BULB (6V-18W)	1	

4. Applicable colours of graphics are represented in the “REMARKS” as shown below.

PART NO.	DESCRIPTION	Q'TY	REMARKS
2N4-24110-00-X5	FUEL TANK COMP.	2	MXR
3J1-24240-10	.GRAPHIC, FUEL TANK	1	FOR MXR

5. Note that the illustrations for reference in finding parts numbers are not to be used for assembling. When assembling, please use the applicable service manual.

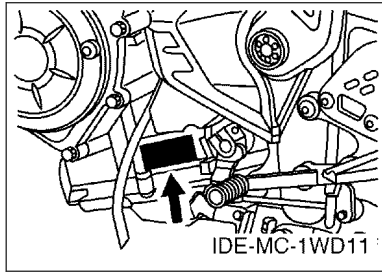
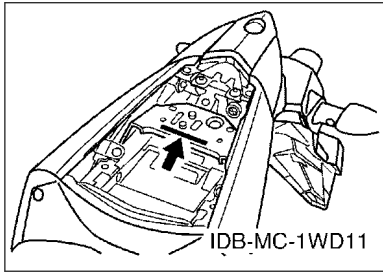
6. The asterisk (*) before a reference number indicates modified items after the first edition.

FOREWORD

7. Applicable Serial No.

Frame Serial No.

Engine Serial No.



8. Applicable Colour Code (The (*) mark shows Model colour.)

Abbreviation	Colour Name	Colour Code
CS6	CYAN SOLID 6	1754
DPBM15	DEEP PURPLISH BLUE METALLIC 15	1329
DPBMC(*)	DEEP PURPLISH BLUE METALLIC C	0564
MBL2	MAT BLACK 2	0582
MBM3	MAT BLUE METALLIC 3	0960
MDNM8	MAT DARK GRAY METALLIC 8	1654
PGD(*)	PASTEL DARK GRAY	003E

9. Applicable Starting Serial No.

Frame Serial No.

Serial No.	Name Of Q'ty Column	Model Code

Engine Serial No.

Serial No.	Name Of Q'ty Column	Model Code

CONTENTS

ENGINE

CYLINDER HEAD.....	1
CRANKSHAFT & PISTON.....	3
VALVE.....	5
CAMSHAFT & CHAIN.....	7
WATER PUMP.....	8
RADIATOR & HOSE.....	9
OIL PUMP.....	11
INTAKE.....	12
EXHAUST.....	14
CRANKCASE.....	15
CRANKCASE COVER 1.....	16
STARTER CLUTCH.....	17
CLUTCH.....	18
TRANSMISSION.....	19
SHIFT CAM & FORK.....	21
SHIFT SHAFT.....	22

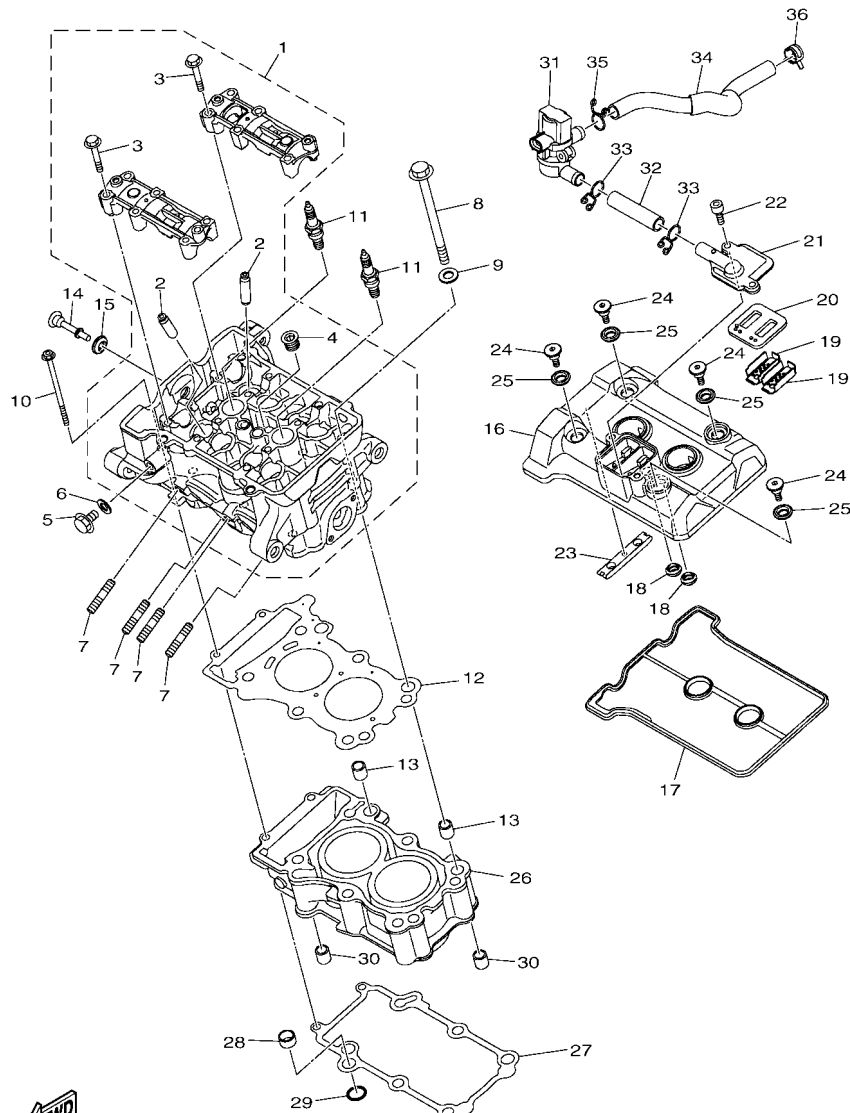
CHASSIS

FRAME.....	23
FENDER.....	25
SIDE COVER.....	27
REAR ARM & SUSPENSION.....	30
STEERING.....	31
FRONT FORK.....	32
FUEL TANK.....	34
FUEL TANK 2.....	37
SEAT.....	41
FRONT WHEEL.....	42
FRONT BRAKE CALIPER.....	43
REAR WHEEL.....	44
REAR BRAKE CALIPER.....	46
STEERING HANDLE & CABLE.....	47
FRONT MASTER CYLINDER.....	48
STAND & FOOTREST.....	50
REAR MASTER CYLINDER.....	52
GENERATOR.....	54
STARTING MOTOR.....	55
FLASHER LIGHT.....	56
METER.....	57

HEADLIGHT.....	58
TAILLIGHT.....	60
HANDLE SWITCH & LEVER.....	61
ELECTRICAL 1.....	62
ELECTRICAL 2.....	64
ELECTRICAL 3.....	65

INDEX

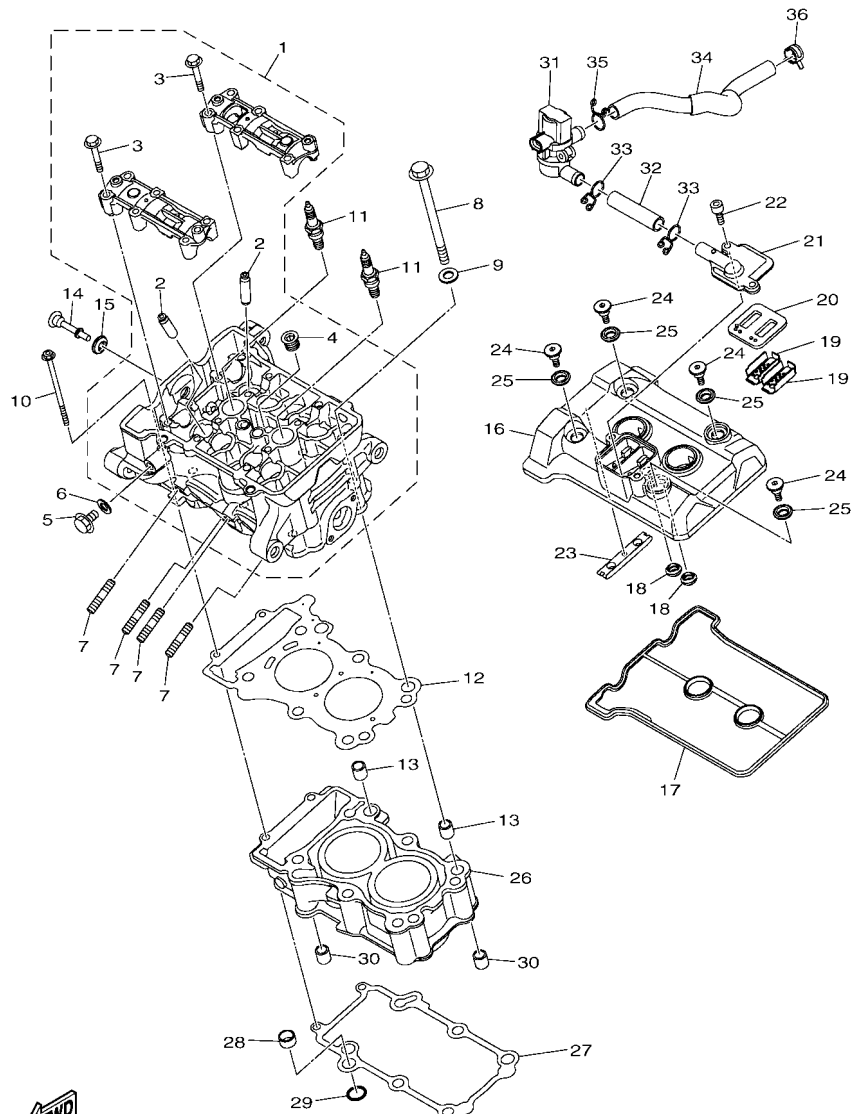
NUMERICAL INDEX.....	66
----------------------	----



BGJ1516-W010

FIG. 1 CYLINDER HEAD

REF. NO.	PART NO.	DESCRIPTION	BFB1				REMARKS
1	B1X-E1102-01	CYLINDER HEAD ASSY	1				
2	1WD-E1133-10	.GUIDE, VALVE 1	8				
3	90105-06027	.BOLT, FLANGE	12				
4	90340-18002	.PLUG, STRAIGHT SCREW	1				
5	95022-08012	BOLT, FLANGE	1				
6	90430-08119	GASKET	1				
7	95612-08625	BOLT, STUD	4				
8	1WD-E1361-00	BOLT, CYLINDER HOLDING 1	6				
9	90201-10845	WASHER, PLATE	6				
10	90110-06870	BOLT, HEXAGON SOCKET HEAD	2				
11	94700-00436	PLUG, SPARK (NGK LMAR8A-9)	2				
12	BS8-E1181-00	GASKET, CYLINDER HEAD 1	1				
13	99530-14016	PIN, DOWEL	2				
14	90109-06898	BOLT	1				
15	1WD-E111G-00	RUBBER, MOUNT 1	1				
16	B1X-E1191-00	COVER, CYLINDER HEAD 1	1				
17	B1X-E1193-00	GASKET, HEAD COVER 1	1				
18	B1X-E1195-00	GASKET	2				
19	5VY-1482K-00	PLATE	2				
20	1WD-E4890-00	REED VALVE ASSY	1				
21	1WD-E4899-00	CAP, CASE	1				
22	91332-06020	BOLT	2				
23	1WD-E2241-01	GUIDE, STOPPER 2	1				
24	90109-06899	BOLT	4				
25	1WD-E111G-00	RUBBER, MOUNT 1	4				
26	1WD-E1311-10	CYLINDER 1	1				
27	B1X-E1351-00	GASKET, CYLINDER	1				

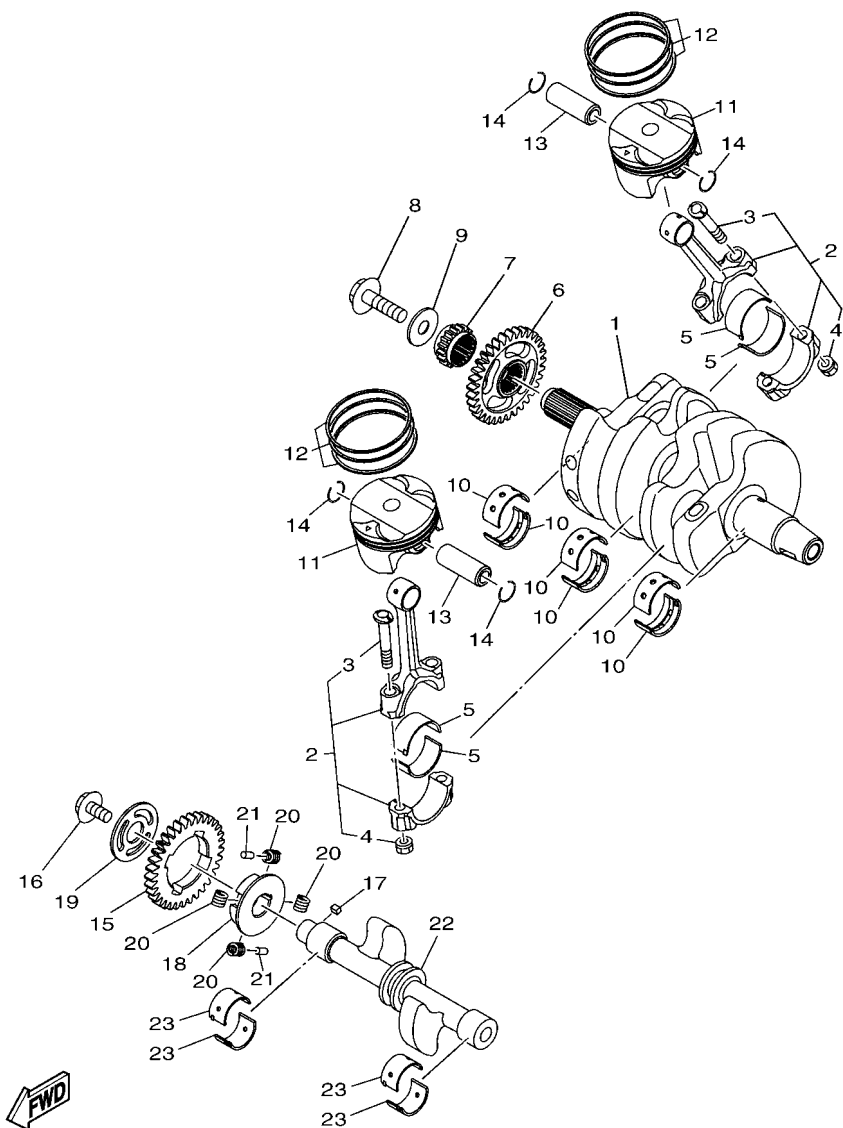


BGJ1516-W010

FIG. 1 CYLINDER HEAD

REF. NO.	PART NO.	DESCRIPTION	BFB1				REMARKS
28	5NL-12564-00	PIPE, WATER	1				
29	93210-16716	O-RING	1				
30	99530-14016	PIN, DOWEL	2				
31	1WD-E4840-10	AIR CUT VALVE ASSY	1				
32	1WD-E4881-00	HOSE, BEND 1	1				
33	90467-16801	CLIP	2				
34	1WD-E4882-02	HOSE, BEND 2	1				
35	90467-16801	CLIP	1				
36	90467-16800	CLIP	1				

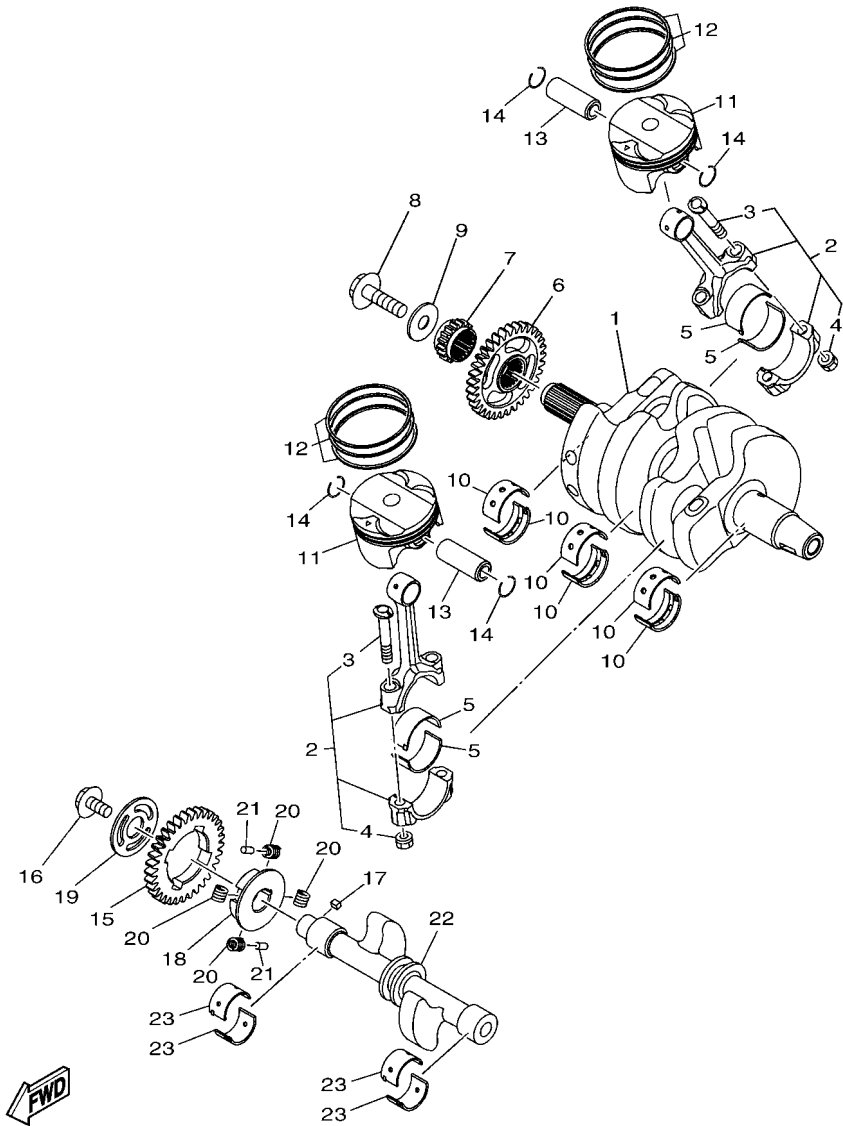
FIG. 2 CRANKSHAFT & PISTON



B1E1010-T020

REF. NO.	PART NO.	DESCRIPTION	BFB1			REMARKS
1	1WD-E1411-10	CRANKSHAFT	1			
2	1WD-11650-00	CONNECTING ROD ASSY	2			
3	5SL-11654-00	.BOLT, CONNECTING ROD	2			
4	90179-07652	.NUT	2			
5	1WD-11656-00	PLANE BEARING, CONNECTING ROD	4			UR BLUE
<hr/>						
	1WD-11656-10	PLANE BEARING, CONNECTING ROD	4			UR BLACK
	1WD-11656-20	PLANE BEARING, CONNECTING ROD	4			UR BROWN
	1WD-11656-30	PLANE BEARING, CONNECTING ROD	4			UR GREEN
6	1WD-E1536-00	GEAR, DRIVE	1			
7	1WD-E1549-00	SPROCKET, CAM CHAIN	1			
<hr/>						
8	90105-10883	BOLT, FLANGE	1			
9	90201-10848	WASHER, PLATE	1			
10	B1X-11416-00	PLANE BEARING, CRANKSHAFT 1	6			UR BLUE
	B1X-11416-10	PLANE BEARING, CRANKSHAFT 1	6			UR BLACK
	B1X-11416-20	PLANE BEARING, CRANKSHAFT 1	6			UR BROWN
<hr/>						
	B1X-11416-30	PLANE BEARING, CRANKSHAFT 1	6			UR GREEN
	B1X-11416-40	PLANE BEARING, CRANKSHAFT 1	6			UR YELLOW
11	B1X-E1631-00	PISTON (STD)	2			
12	BS8-E1603-00	PISTON RING SET (STD)	2			
13	1WD-E1633-00	PIN, PISTON	2			
<hr/>						
14	93450-16068	CIRCLIP	4			
15	1WD-E1531-00	GEAR, BALANCE WEIGHT	1			
16	90105-088F8	BOLT, FLANGE	1			
17	90282-04036	KEY, STRAIGHT	1			
18	1WD-E1496-00	BOSS, BUFFER	1			
<hr/>						
19	90201-16812	WASHER, PLATE	1			
20	90501-22800	SPRING, COMPRESSION	4			

FIG. 2 CRANKSHAFT & PISTON



B1E1010-T020

REF. NO.	PART NO.	DESCRIPTION	BFB1				REMARKS
21	93605-10090	PIN, DOWEL	2				
22	1WD-E1454-00	WEIGHT 1	1				
23	1WD-11413-00	METAL, BALANCE WEIGHT	4				UR BLUE
	1WD-11413-10	METAL, BALANCE WEIGHT	4				UR BLACK
	1WD-11413-20	METAL, BALANCE WEIGHT	4				UR BROWN
	1WD-11413-30	METAL, BALANCE WEIGHT	4				UR GREEN
	1WD-11413-40	METAL, BALANCE WEIGHT	4				UR YELLOW

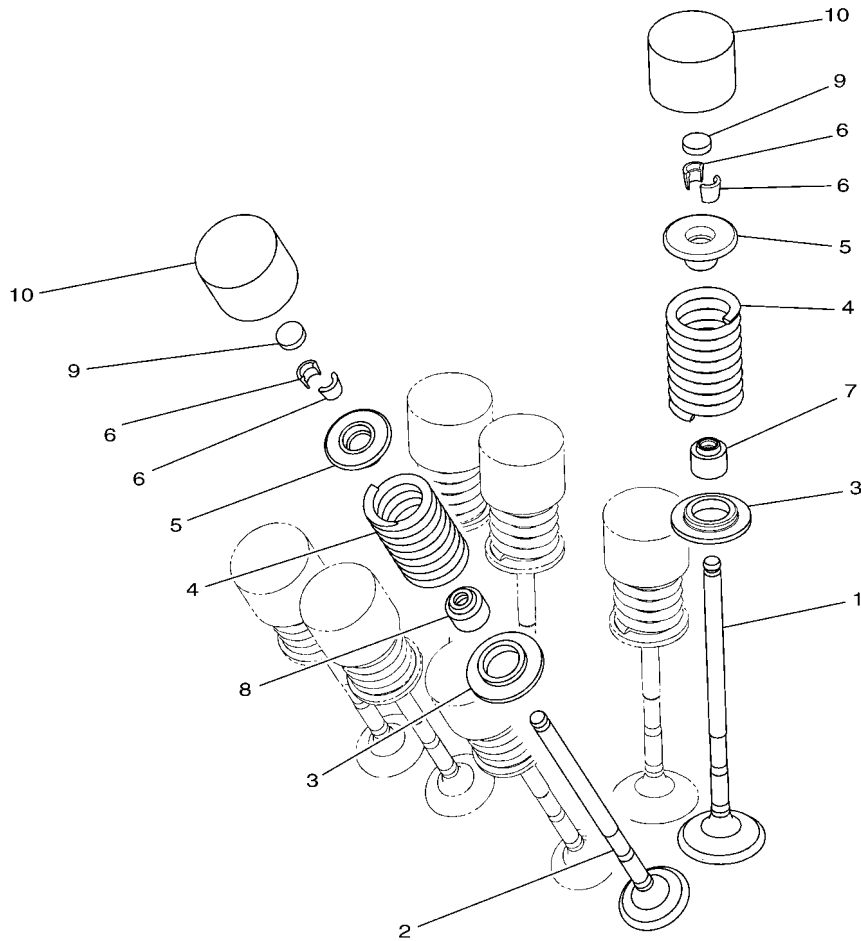
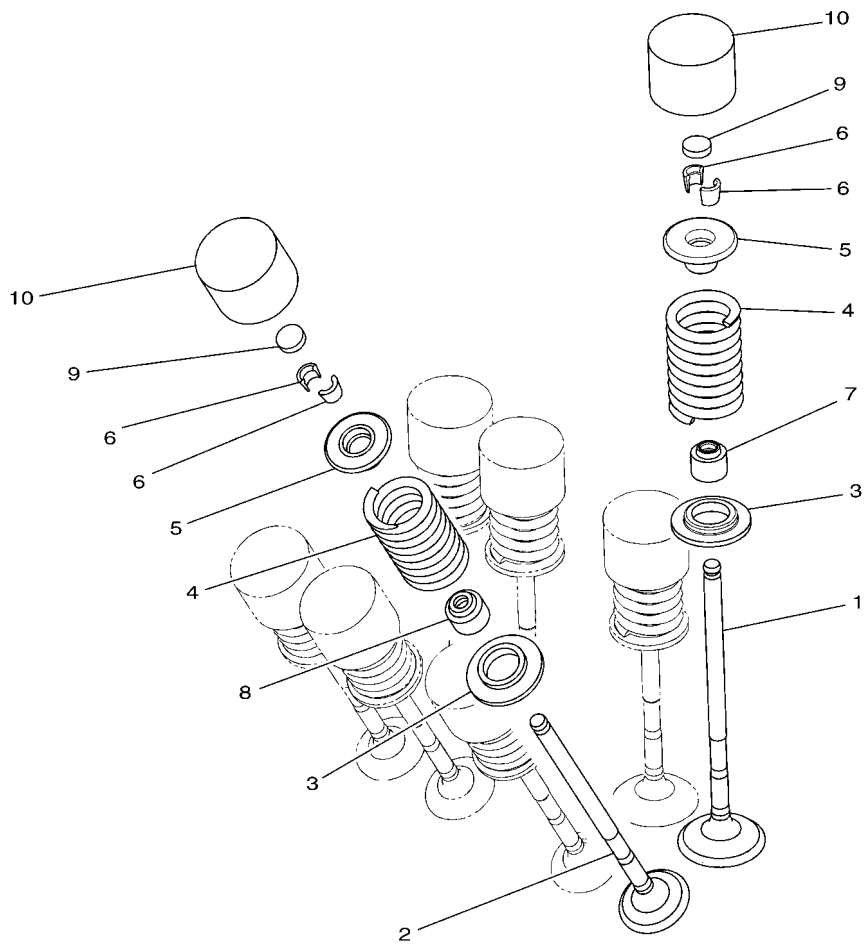


FIG. 3 VALVE

REF. NO.	PART NO.	DESCRIPTION	BFB1				REMARKS
1	B1X-E2111-00	VALVE, INTAKE	4				
2	B1X-12121-10	VALVE, EXHAUST	4				
3	1WD-E2126-00	SEAT, VALVE SPRING 2	8				
4	B1X-E2113-00	SPRING, VALVE INNER	8				
5	1WD-E2117-00	RETAINER, VALVE SPRING	8				
6	3S0-E2118-00	LOCK, VALVE SPRING RETAINER	16				
7	BS8-E2119-00	SEAL, VALVE STEM	4				
8	1PA-E2119-00	SEAL, VALVE STEM	4				
9	1HX-12168-F0	PAD, ADJUSTING 2 (1.50)	8				UR
	1HX-12168-H1	PAD, ADJUSTING 2 (1.55)	8				UR
	1HX-12168-K1	PAD, ADJUSTING 2 (1.60)	8				UR
	1HX-12168-M1	PAD, ADJUSTING 2 (1.65)	8				UR
	1HX-12168-R1	PAD, ADJUSTING 2 (1.70)	8				UR
	1HX-12168-U1	PAD, ADJUSTING 2 (1.75)	8				UR
	1HX-12168-W1	PAD, ADJUSTING 2 (1.80)	8				UR
	1HX-12168-Y1	PAD, ADJUSTING 2 (1.85)	8				UR
	1HX-12169-11	PAD, ADJUSTING 2 (1.90)	8				UR
	1HX-12169-31	PAD, ADJUSTING 2 (1.95)	8				UR
	1HX-12169-50	PAD, ADJUSTING 2 (2.00)	8				UR
	1HX-12169-70	PAD, ADJUSTING 2 (2.05)	8				UR
	1HX-12169-90	PAD, ADJUSTING 2 (2.10)	8				UR
	1HX-12169-E0	PAD, ADJUSTING 2 (2.15)	8				UR
	1HX-12169-G0	PAD, ADJUSTING 2 (2.20)	8				UR
	1HX-12169-J0	PAD, ADJUSTING 2 (2.25)	8				UR
	1HX-12169-L0	PAD, ADJUSTING 2 (2.30)	8				UR
	1HX-12169-N0	PAD, ADJUSTING 2 (2.35)	8				UR
	1HX-12169-T0	PAD, ADJUSTING 2 (2.40)	8				UR



B1E1010-T030

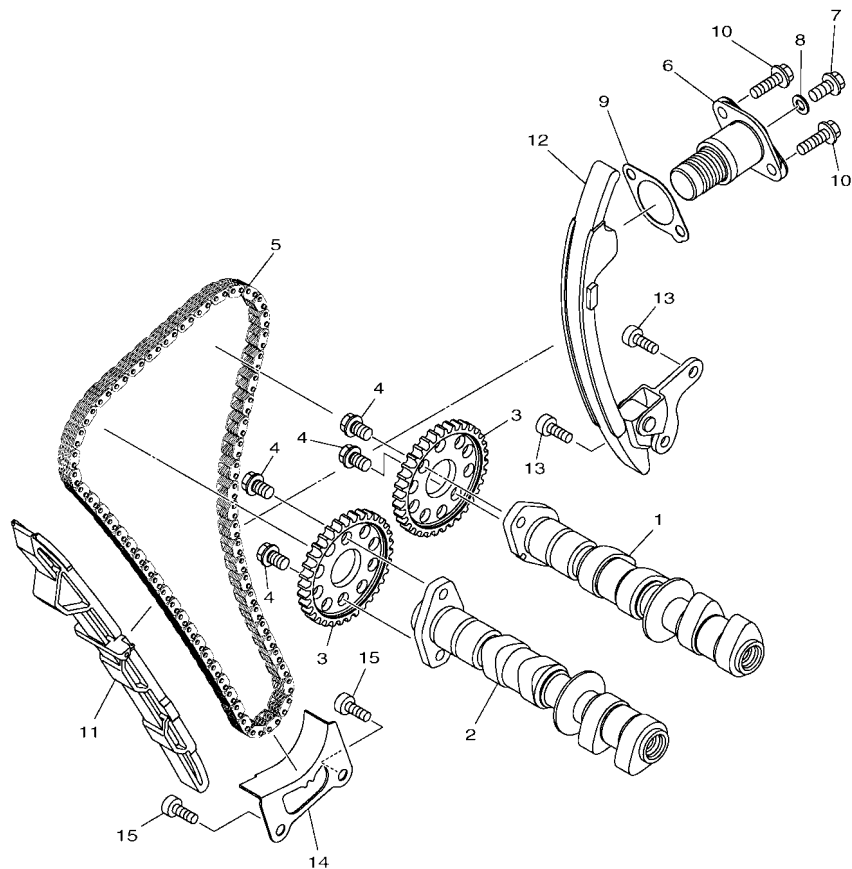



 B1E1010-T030

FIG. 3 VALVE

REF. NO.	PART NO.	DESCRIPTION	BFB1				REMARKS
10	1WD-E2153-11	LIFTER, VALVE	8				

FIG. 4 CAMSHAFT & CHAIN

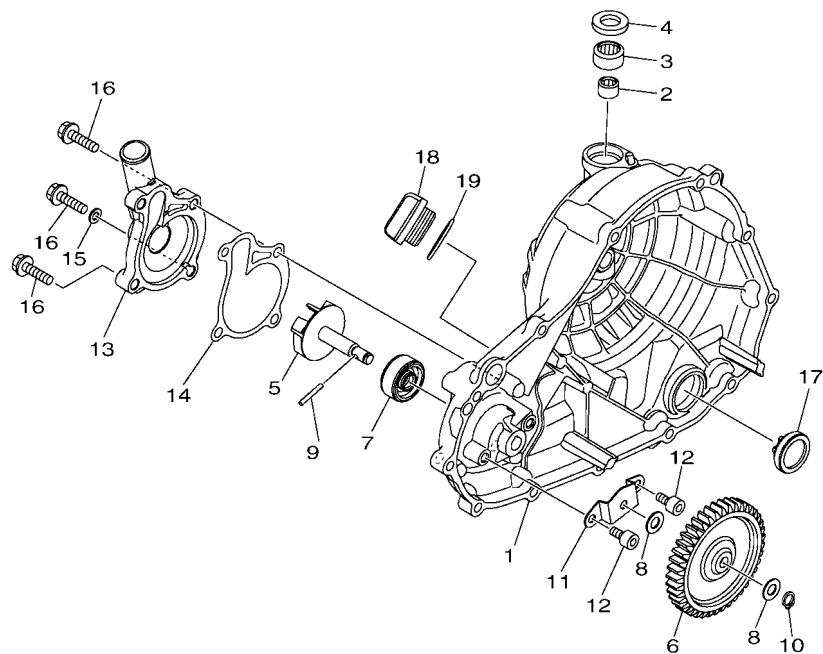


REF. NO.	PART NO.	DESCRIPTION	BFB1				REMARKS
1	B1X-E2170-00	CAMSHAFT ASSY 1	1				
2	B1X-E2180-00	CAMSHAFT ASSY 2	1				
3	1WD-E2176-00	SPROCKET, CAM CHAIN	2				
4	90105-07800	BOLT, FLANGE	4				
5	94568-K0118	CHAIN (98XRH2015-118P-M)	1				
6	B1X-12210-00	TENSIONER ASSY, CAM CHAIN	1				
7	95022-06008	BOLT, FLANGE	1				
8	90430-06014	GASKET	1				
9	1WD-E2213-00	GASKET, TENSIONER CASE	1				
10	95812-06020	BOLT, FLANGE	2				
11	1WD-E2251-00	DAMPER, CHAIN 1	1				
12	1WD-E2252-01	DAMPER, CHAIN 2	1				
13	90110-06161	BOLT, HEXAGON SOCKET HEAD	2				
14	1WD-E2256-00	COVER, CHAIN	1				
15	90110-06161	BOLT, HEXAGON SOCKET HEAD	2				



BGJ1516-W040

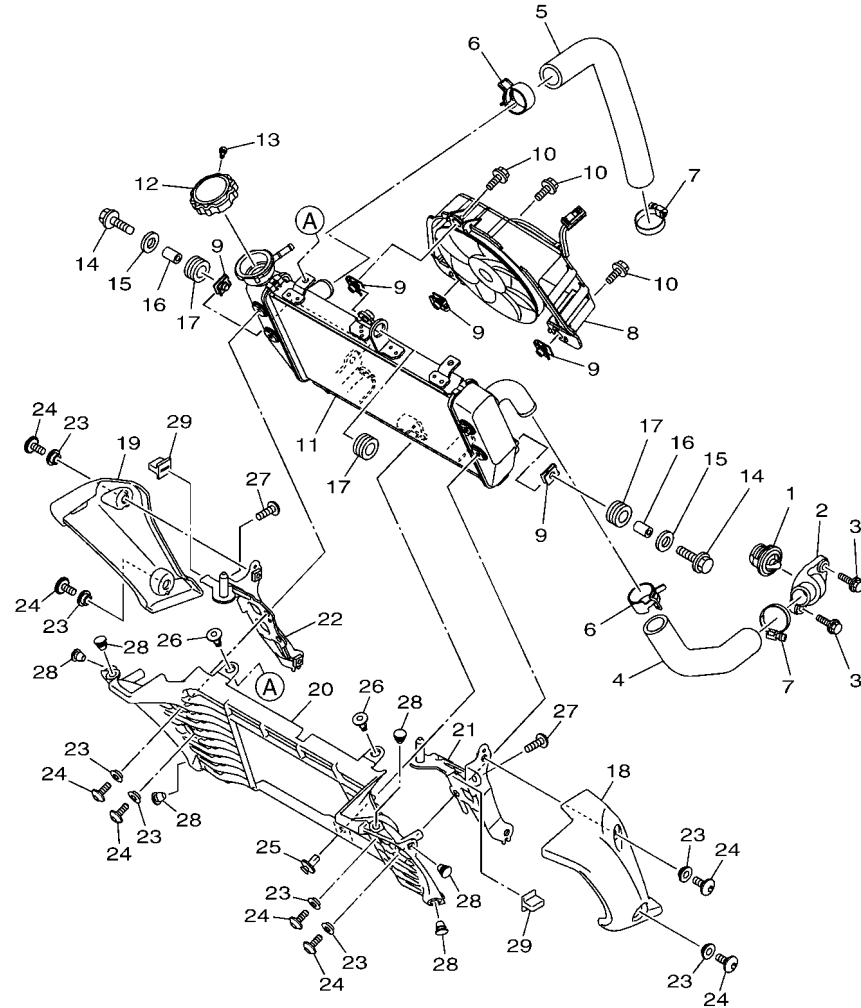
FIG. 5 WATER PUMP



REF. NO.	PART NO.	DESCRIPTION	BFB1				REMARKS
1	B1X-E5421-00	COVER, CRANKCASE 2	1				MBL2
2	93317-11096	BEARING	1				
3	93315-21570	BEARING	1				
4	93102-15801	OIL SEAL	1				
5	1WD-E2450-00	IMPELLER SHAFT ASSY	1				
6	1WD-E2453-00	GEAR	1				
7	33S-E2223-00	SEAL	1				
8	33S-E2456-00	WASHER	2				
9	1WD-E319L-00	PIN, STRAIGHT	1				
10	99009-08400	CIRCLIP	1				
11	1WD-E2681-00	PLATE	1				
12	91312-06010	BOLT, HEXAGON SOCKET HEAD	2				
13	1WD-E2422-00	COVER, HOUSING	1				
14	1WD-E2428-00	GASKET, HOUSING COVER 2	1				
15	90430-06014	GASKET	1				
16	95022-06025	BOLT, FLANGE	3				
17	2H7-15361-00	GAUGE, LEVEL	1				
18	1WD-E5362-00	PLUG, OIL LEVEL	1				
19	93210-27807	O-RING	1				


B9T2460-W050

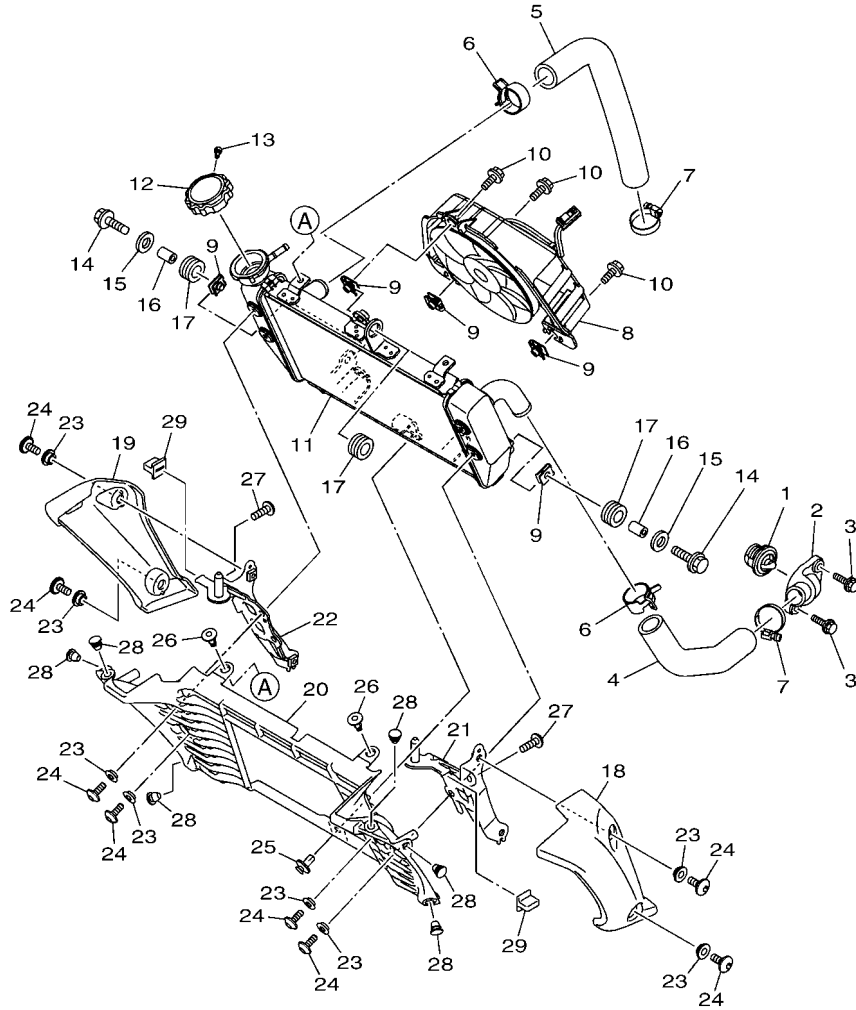
FIG. 6 RADIATOR & HOSE



REF. NO.	PART NO.	DESCRIPTION	BFB1				REMARKS
1	5P0-12411-01	THERMOSTAT	1				
2	1WD-E2413-00	COVER, THERMOSTAT	1				
3	95022-06020	BOLT, FLANGE	2				
4	1WD-E2577-00	HOSE 2	1				
5	1WD-E2578-00	HOSE 3	1				
6	90467-250A1	CLIP	2				
7	90450-28001	HOSE CLAMP ASSY	2				
8	1WD-E2405-00	BLOWER ASSY	1				
9	1WD-E2671-00	NUT 1	5				
10	5YP-E2675-00	BOLT, BLOWER HOLDING	3				
11	B04-E2461-00	RADIATOR COMP	1				
12	B04-E2462-10	CAP, RADIATOR	1				
13	97707-30505	SCREW, TAPPING	1				
14	95827-06025	BOLT, FLANGE	2				
15	90201-06072	WASHER, PLATE	2				
16	90387-064W3	COLLAR	2				
17	90480-15808	GROMMET	3				
18	B9T-F137U-00	GUIDE, AIR 1	1				
19	B9T-F137V-00	GUIDE, AIR 2	1				
20	B9T-F1557-00	DUCT, AIR	1				
21	B9T-F175T-00	BRACKET 1	1				
22	B9T-F175U-00	BRACKET 2	1				
23	90387-06130	COLLAR	8				
24	90111-06151	BOLT, HEXAGON SOCKET BUTTON	8				
25	90269-07012	RIVET	1				
26	90269-06816	RIVET	2				
27	90160-05012	SCREW, ROUND TAPPING	2				


B9T1460-V060

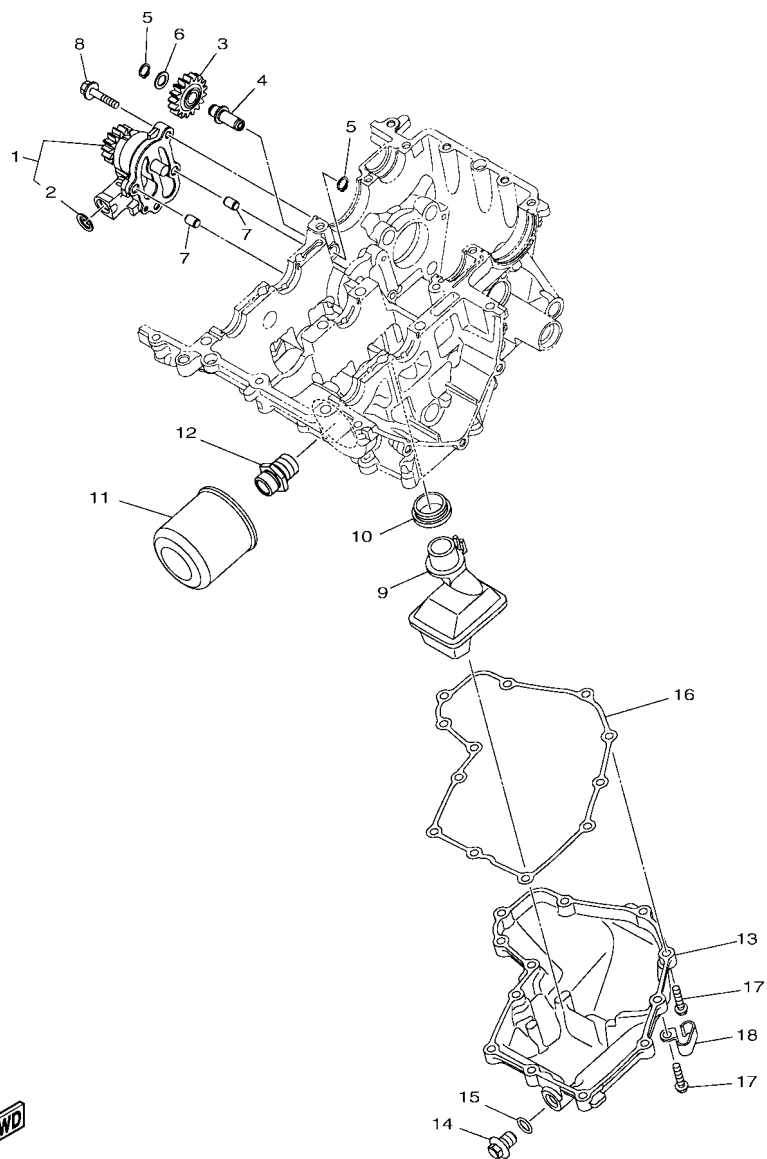
FIG. 6 RADIATOR & HOSE



REF. NO.	PART NO.	DESCRIPTION	BFB1					REMARKS
28	90338-06018	PLUG	6					
29	45P-F1778-00	DAMPER, LOCATING 1	2					


 B9T1460-V060

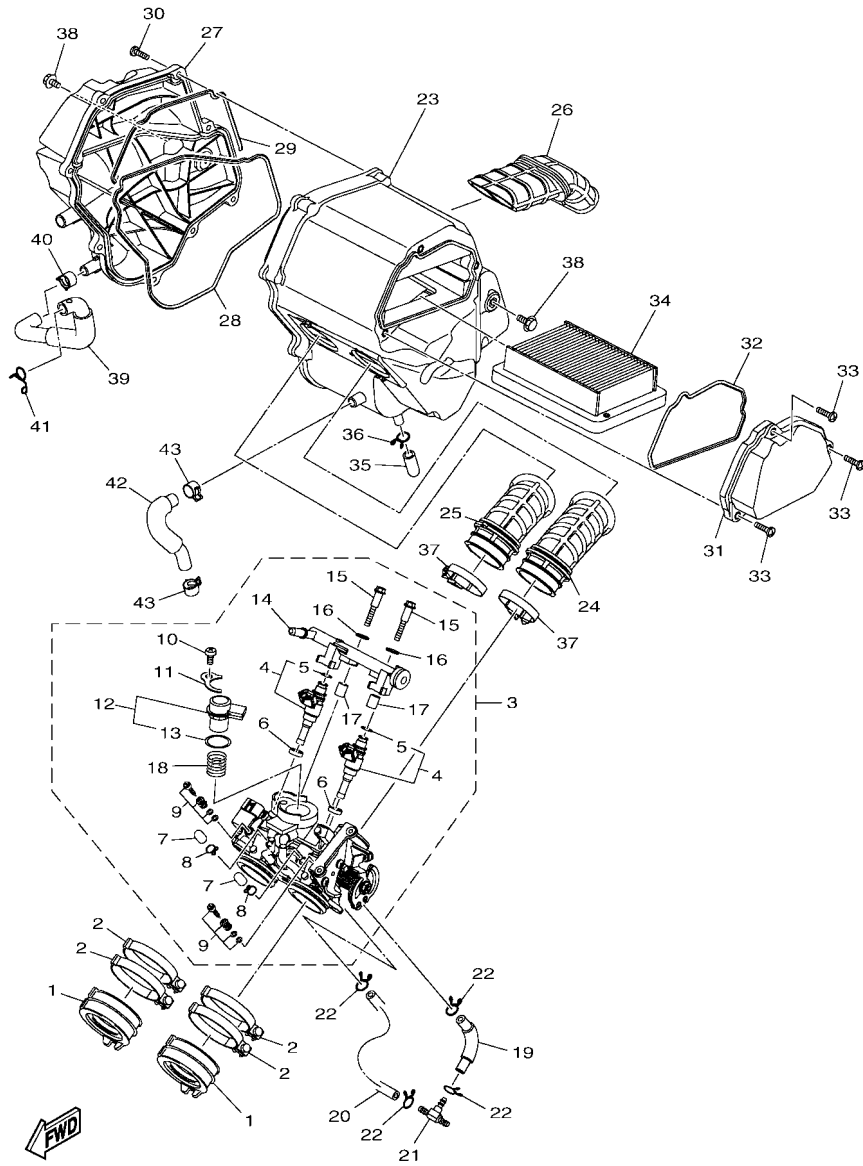
FIG. 7 OIL PUMP



REF. NO.	PART NO.	DESCRIPTION	BFB1				REMARKS
1	B1X-E3300-00	OIL PUMP ASSY	1				
2	99009-15500	.CIRCLIP	1				
3	1WD-E3341-00	GEAR, OIL PUMP IDLE	1				
4	1WD-E3342-00	SHAFT, IDLE GEAR	1				
5	99009-10400	CIRCLIP	2				
6	90201-10119	WASHER, PLATE	1				
7	99530-08012	PIN, DOWEL	2				
8	90105-06027	BOLT, FLANGE	4				
9	1WD-E3410-00	STRAINER HOUSING ASSY	1				
10	1WD-E3415-00	SEAL, OIL STRAINER	1				
11	1WD-E3440-10	ELEMENT ASSY, OIL CLEANER	1				
12	90401-20011	BOLT, UNION	1				
13	B1X-E3417-01	COVER, STRAINER	1				
14	90340-12808	PLUG, STRAIGHT SCREW	1				
15	4YS-E1198-00	GASKET	1				
16	B1X-E3414-00	GASKET, STRAINER COVER	1				
17	95022-06025	BOLT, FLANGE	12				
18	90462-08810	CLAMP	1				



BGJ1516-W070

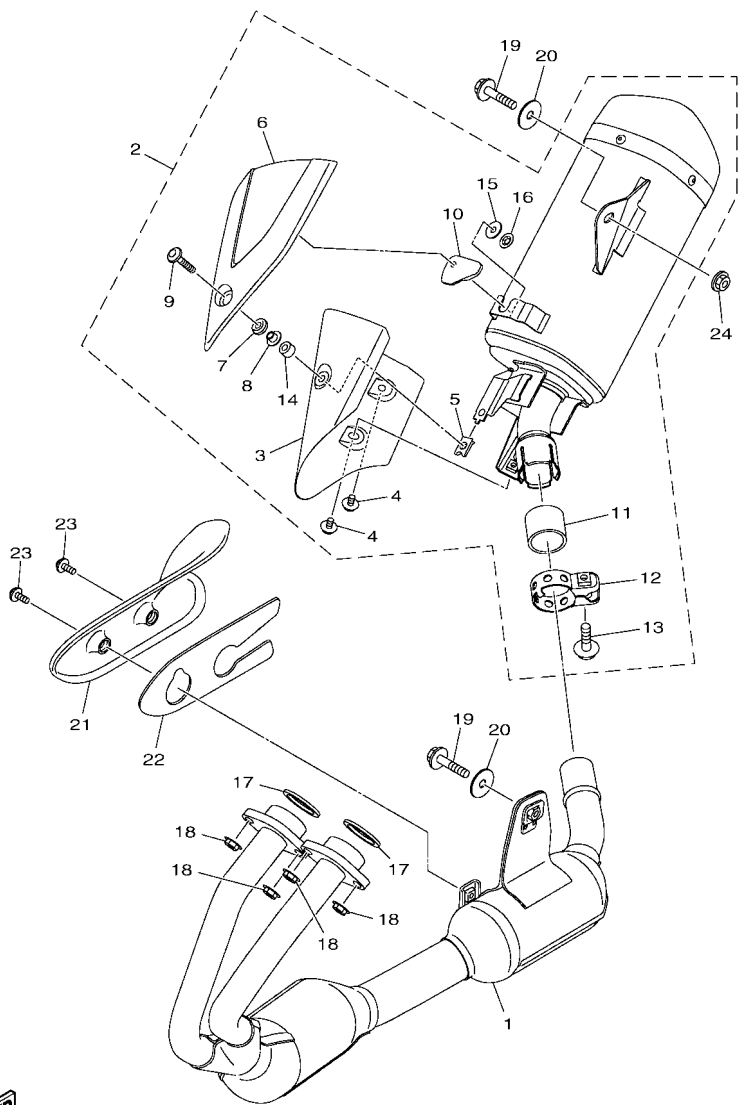


BGJ1516-W080

FIG. 8 INTAKE

REF. NO.	PART NO.	DESCRIPTION	BFB1				REMARKS
1	B1X-E3635-00	JOINT, INTAKE 1	2				
2	90450-52801	HOSE CLAMP ASSY	4				
3	B1X-E3750-01	THROTTLE BODY ASSY	1				
4	1WD-E3761-00	.INJECTOR	2				
5	5PS-14147-00	.O-RING	1				
6	1WD-E3556-00	.GASKET, MANIFOLD	2				
7	895-14169-00	.CAP	2				
8	8A7-14139-00	.CLIP, PIPE	2				
9	5JW-14104-00	.AIR SCREW SET	2				
10	98502-06012	.SCREW, PAN HEAD	1				
11	1WD-E4243-00	.PLATE	1				
12	1WS-85801-01	.STEPPING MOTOR	1				
13	54P-E416A-00	.O-RING	1				
14	1WD-E3938-00	.PIPE	1				
15	1WD-E3573-00	.BOLT 1	2				
16	8GL-13571-00	.WASHER	2				
17	8HG-14534-00	.COLLAR	2				
18	1WS-14335-00	.SPRING, PLUNGER	1				
19	B1X-E4465-00	PIPE	1				
20	2MS-E4466-00	PIPE	1				
21	90413-06031	WAY 3	1				
22	90467-09006	CLIP	4				
23	BR5-E4411-00	CASE, AIR CLEANER 1	1				
24	B1X-E4469-00	FUNNEL, AIR	1				
25	B1X-E446C-00	FUNNEL 2	1				
26	BR5-E4437-00	DUCT	1				
27	B1X-E4412-00	CAP, CLEANER CASE 1	1				

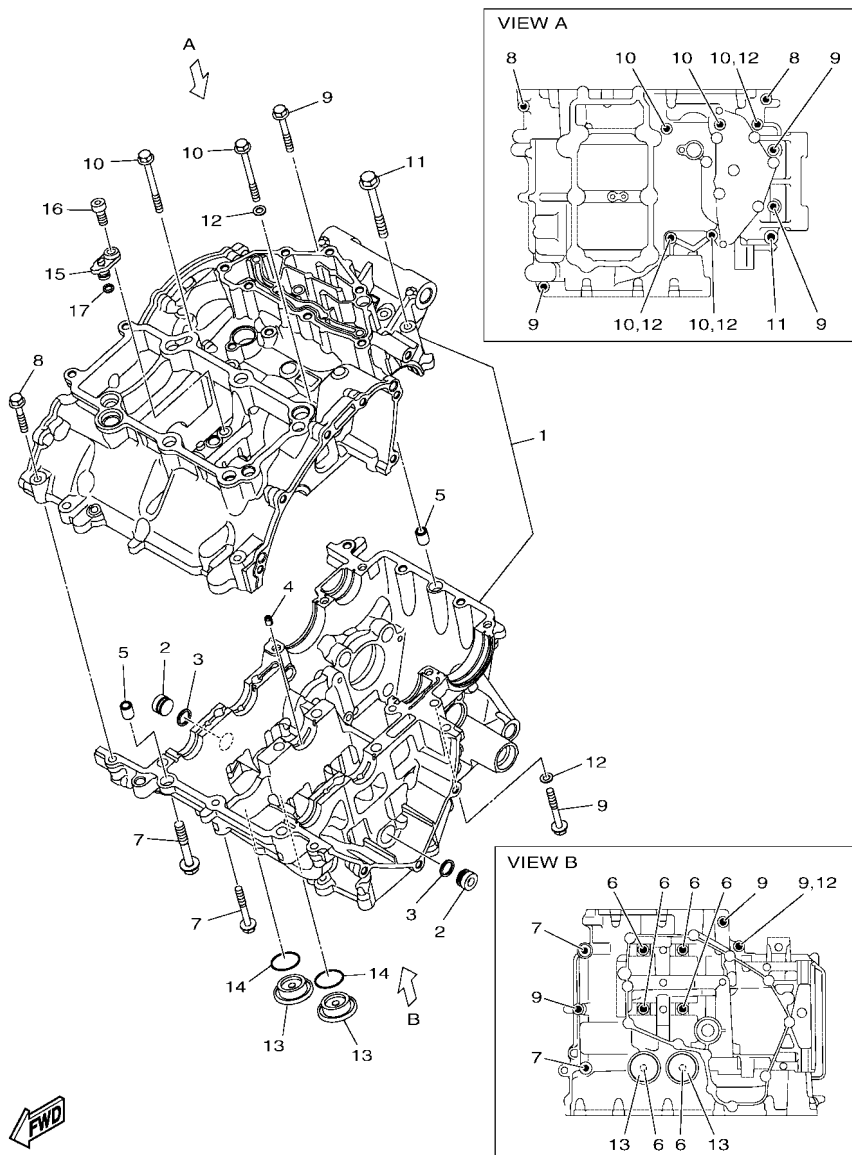
FIG. 9 EXHAUST



BGJ1516-W090

REF. NO.	PART NO.	DESCRIPTION	BFB1				REMARKS
1	B1X-E4602-00	EXHAUST PIPE COMP.	1				
2	BR5-E4710-00	MUFFLER ASSY 1	1				
3	1WD-E4758-00	.PROTECTOR, SILENCER	1				
4	90111-06802	.BOLT, HEXAGON SOCKET BUTTON	2				
5	90183-06818	.NUT, SPRING	1				
6	1WD-E4728-00	.PROTECTOR, MUFFLER 2	1				
7	90480-12581	.GROMMET	1				
8	90387-06273	.COLLAR	1				
9	90111-06847	.BOLT, HEXAGON SOCKET BUTTON	1				
10	1WD-E4763-00	.SPACER	1				
11	54D-E4714-00	.GASKET, MUFFLER	1				
12	1WD-E4715-00	.BAND, MUFFLER	1				
13	95027-08035	.BOLT, FLANGE	1				
14	90387-068N4	.COLLAR	1				
15	90201-06088	.WASHER, PLATE	1				
16	90183-06011	.NUT, SPRING	1				
17	1WD-E4613-00	GASKET, EXHAUST PIPE	2				
18	95707-08500	NUT, FLANGE	4				
19	90105-088G7	BOLT, FLANGE	2				
20	90201-08612	WASHER, PLATE	2				
21	B1X-E4628-00	PROTECTOR, EXHAUST PIPE	1				
22	B1X-E475P-00	SEAT	1				
23	90111-06860	BOLT, HEXAGON SOCKET BUTTON	2				
24	95607-08200	NUT, SELF-LOCKING	1				

FIG. 10 CRANKCASE




BGJ1516-W100

REF. NO.	PART NO.	DESCRIPTION	BFB1				REMARKS
1	B1X-E5150-00	CRANKCASE ASSY	1				MBL2
2	90338-16262	PLUG	2				
3	93210-12803	O-RING	2				
4	1WD-E5148-00	NOZZLE 2	1				
5	99530-10014	PIN, DOWEL	2				
6	90105-088F7	BOLT, FLANGE	6				
7	90105-088G0	BOLT, FLANGE	2				
8	95812-06035	BOLT, FLANGE	2				
9	95812-06045	BOLT, FLANGE	6				
10	95812-06065	BOLT, FLANGE	5				
11	95812-08070	BOLT, FLANGE	1				
12	90430-06014	GASKET	4				
13	90340-27008	PLUG, STRAIGHT SCREW	2				
14	93210-32172	O-RING	2				
15	B1X-E5155-00	NOZZLE 3	1				
16	90110-06161	BOLT, HEXAGON SOCKET HEAD	1				
17	93210-068F7	O-RING	1				

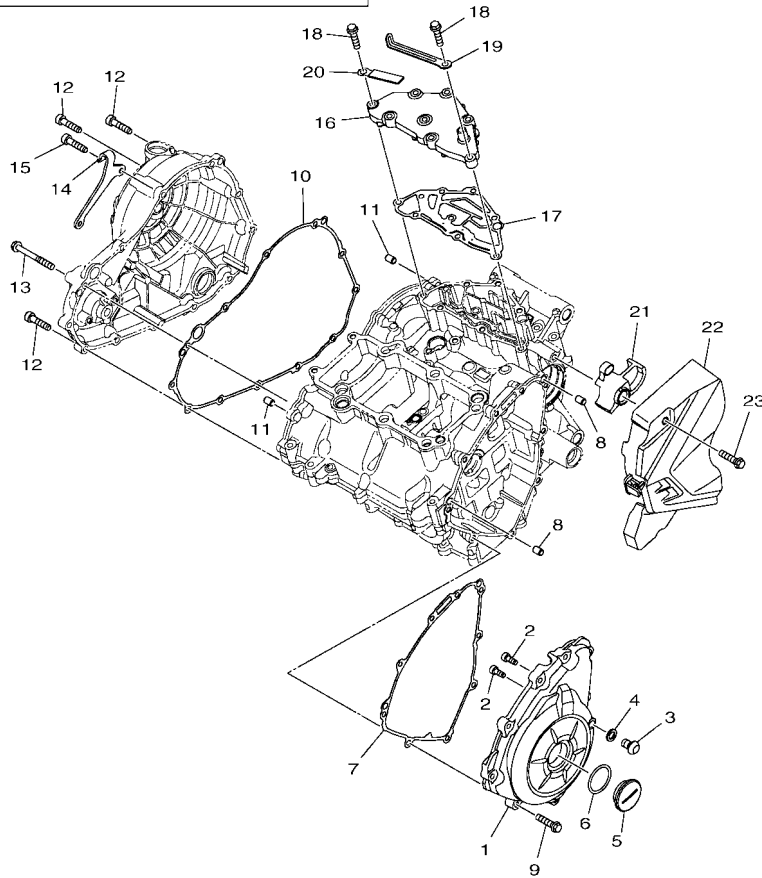
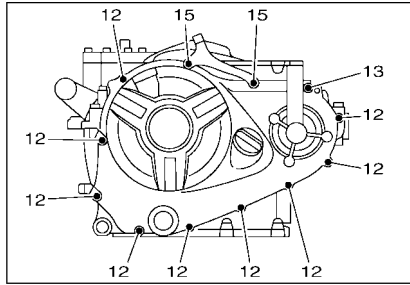


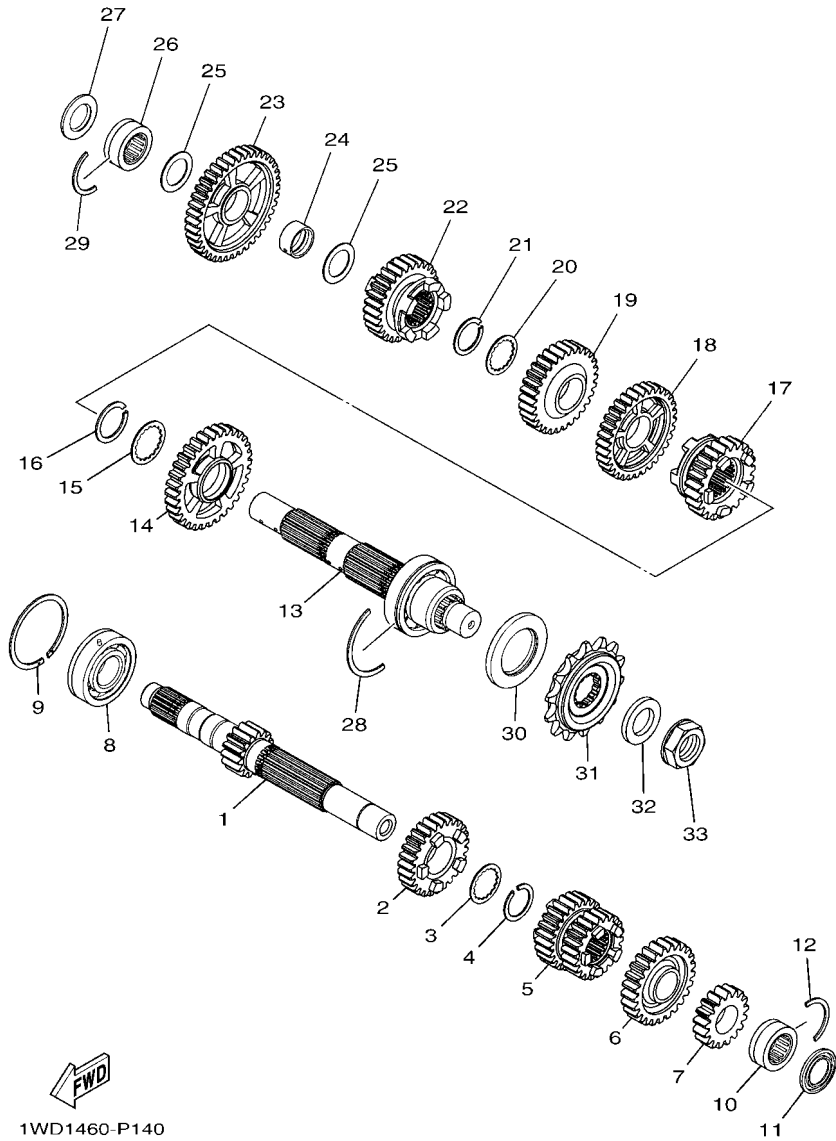
FIG. 11 CRANKCASE COVER 1

REF. NO.	PART NO.	DESCRIPTION	BFB1				REMARKS
1	1WD-E5411-00	COVER, CRANKCASE 1	1				MBL2
2	90110-05032	BOLT, HEXAGON SOCKET HEAD	2				
3	92014-08012	BOLT, BUTTON HEAD	1				
4	90430-08143	GASKET	1				
5	90340-32819	PLUG, STRAIGHT SCREW	1				
6	93210-32816	O-RING	1				
7	1WD-E5451-00	GASKET, CRANKCASE COVER 1	1				
8	99530-08012	PIN, DOWEL	2				
9	95022-06025	BOLT, FLANGE	9				
10	1WD-E5461-00	GASKET, CRANKCASE COVER 2	1				
11	99530-08012	PIN, DOWEL	2				
12	95022-06025	BOLT, FLANGE	9				
13	95022-06050	BOLT, FLANGE	1				
14	1WD-E5441-10	HOLDER, CLUTCH CABLE	1				
15	90110-06178	BOLT, HEXAGON SOCKET HEAD	2				
16	1WD-E5413-10	COVER	1				
17	B1X-E5462-00	GASKET, CRANKCASE COVER 3	1				
18	95022-06025	BOLT, FLANGE	8				
19	90462-08819	CLAMP	1				
20	90462-08806	CLAMP	1				
21	BS7-E5377-00	GUIDE, INLET	1				
22	1WD-E5418-00	COVER, CHAIN CASE	1				
23	95022-06025	BOLT, FLANGE	2				



BGJ1516-W110

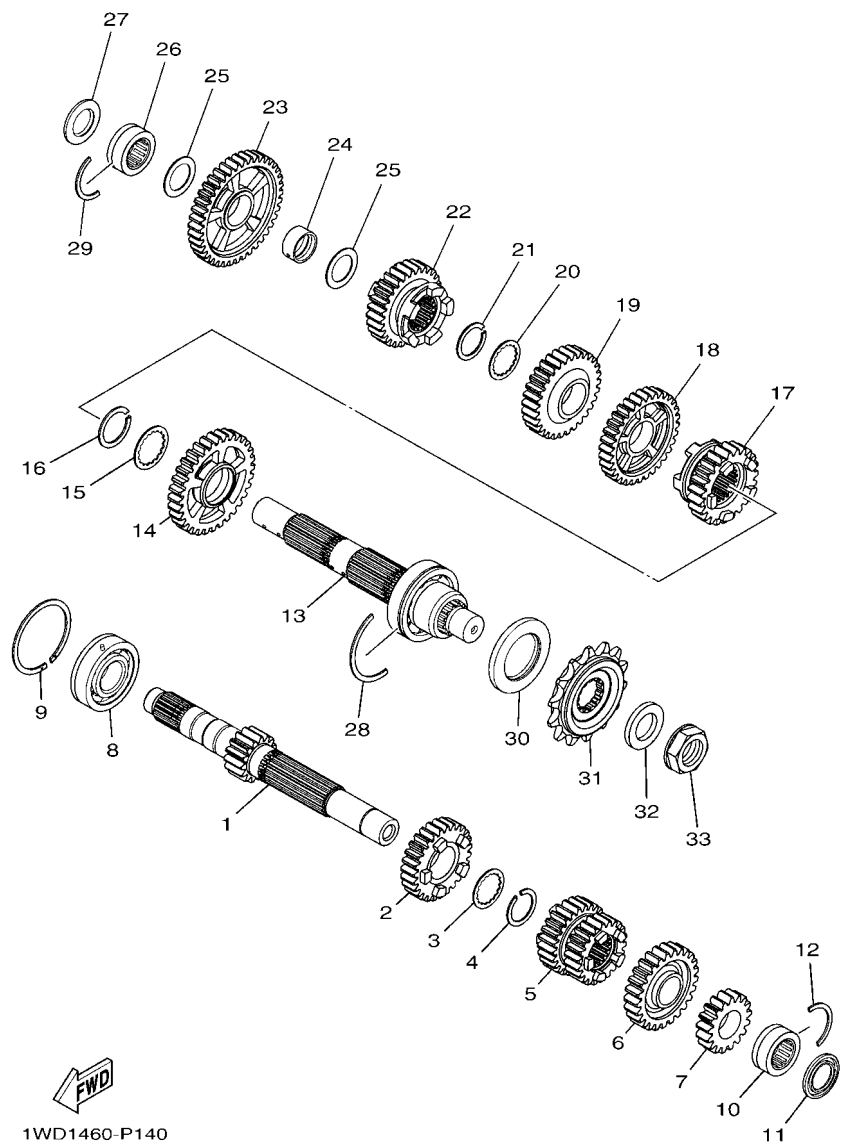
FIG. 14 TRANSMISSION



1WD1460-P140

REF. NO.	PART NO.	DESCRIPTION	BFB1				REMARKS
1	1WD-E7411-01	AXLE, MAIN (15T)	1				UR Either can use
	1WD-E7411-10	AXLE, MAIN (15T)	1				UR Either can use
2	1WD-E7151-01	GEAR, 5TH PINION (27T)	1				
3	90214-22008	WASHER, CLAW	1				
4	93440-24200	CIRCLIP	1				
5	1WD-E7131-00	GEAR, 3RD PINION (22T/25T)	1				
6	1WD-E7161-01	GEAR, 6TH PINION (25T)	1				
7	1WD-E7121-00	GEAR, 2ND PINION (17T)	1				
8	93306-255Y9	BEARING	1				
9	93440-52009	CIRCLIP	1				
10	93311-420Y3	BEARING	1				
11	93101-20802	OIL SEAL	1				
12	278-17425-00	CIRCLIP 2	1				
13	1WD-E7402-00	DRIVE AXLE ASSY	1				
14	1WD-E7221-00	GEAR, 2ND WHEEL (32T)	1				
15	90209-25011	WASHER	1				
16	93440-28184	CIRCLIP	1				
17	1WD-E7261-00	GEAR, 6TH WHEEL (23T)	1				
18	1WD-E7231-00	GEAR, 3RD WHEEL (32T)	1				
19	1WD-E7241-00	GEAR, 4TH WHEEL (30T)	1				
20	90214-22008	WASHER, CLAW	1				
21	93440-24200	CIRCLIP	1				
22	1WD-E7251-00	GEAR, 5TH WHEEL (28T)	1				
23	1WD-E7211-00	GEAR, 1ST WHEEL (40T)	1				
24	90387-20814	COLLAR	1				
25	90201-20276	WASHER, PLATE (T=1.0)	2				
26	93311-420Y3	BEARING	1				

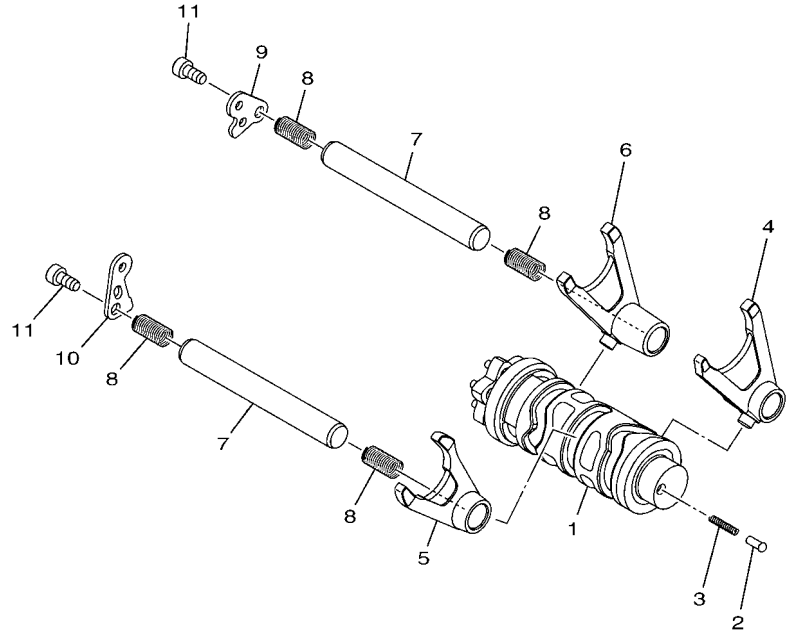
FIG. 14 TRANSMISSION



1WD1460-P140

REF. NO.	PART NO.	DESCRIPTION	BFB1				REMARKS
27	93101-20802	OIL SEAL	1				
28	1WD-17424-00	CIRCLIP 1	1				
29	278-17425-00	CIRCLIP 2	1				
30	93102-35808	OIL SEAL	1				
31	1WD-E7460-00	SPROCKET, DRIVE (14T)	1				
32	90201-20023	WASHER, PLATE	1				
33	90179-20013	NUT	1				

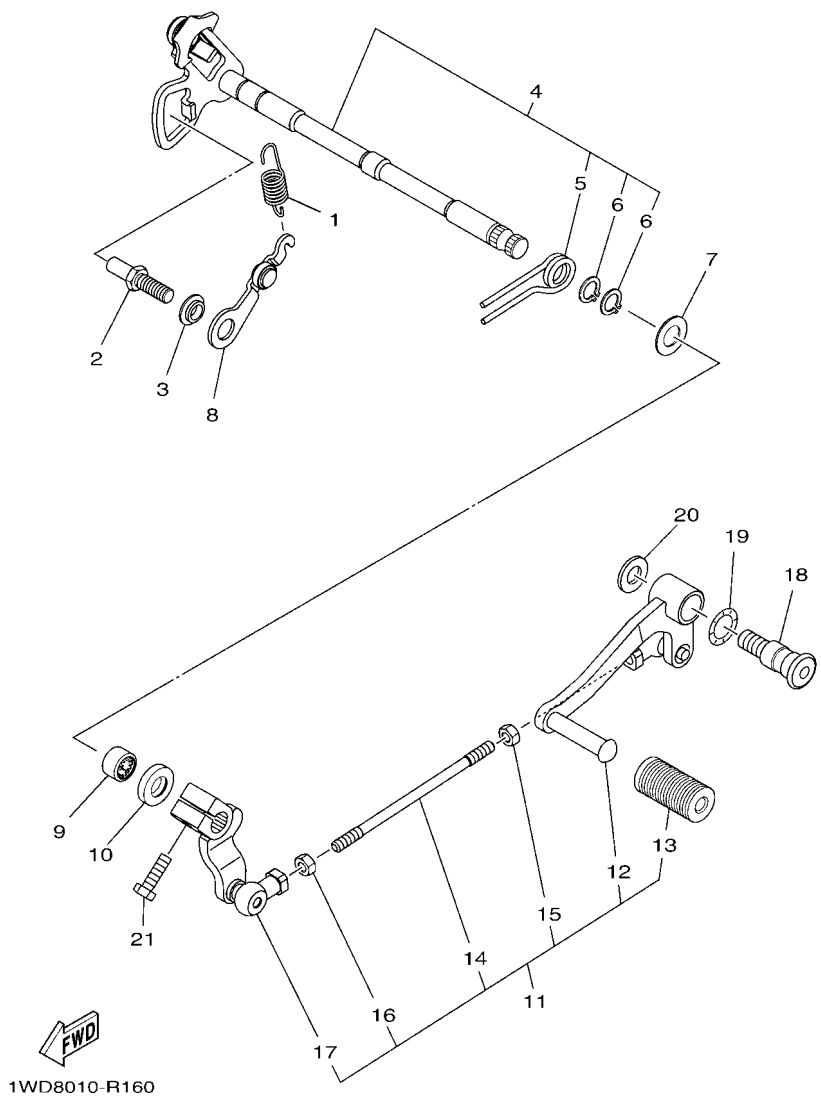
FIG. 15 SHIFT CAM & FORK



REF. NO.	PART NO.	DESCRIPTION	BFB1				REMARKS
1	1WD-E8540-10	SHIFT CAM ASSY	1				
2	5TP-E8542-00	POINT, NEUTRAL	1				
3	90501-06022	SPRING, COMPRESSION	1				
4	1WD-E8511-00	FORK, SHIFT 1	1				
5	1WD-E8512-00	FORK, SHIFT 2	1				
6	1WD-E8513-00	FORK, SHIFT 3	1				
7	1WD-E8531-00	BAR, SHIFT FORK GUIDE 1	2				
8	90501-080A2	SPRING, COMPRESSION	4				
9	1WD-E8536-00	STOPPER, SHIFT BAR	1				
10	1WD-E8562-00	PLATE, STOPPER 2	1				
11	90110-06182	BOLT, HEXAGON SOCKET HEAD	2				

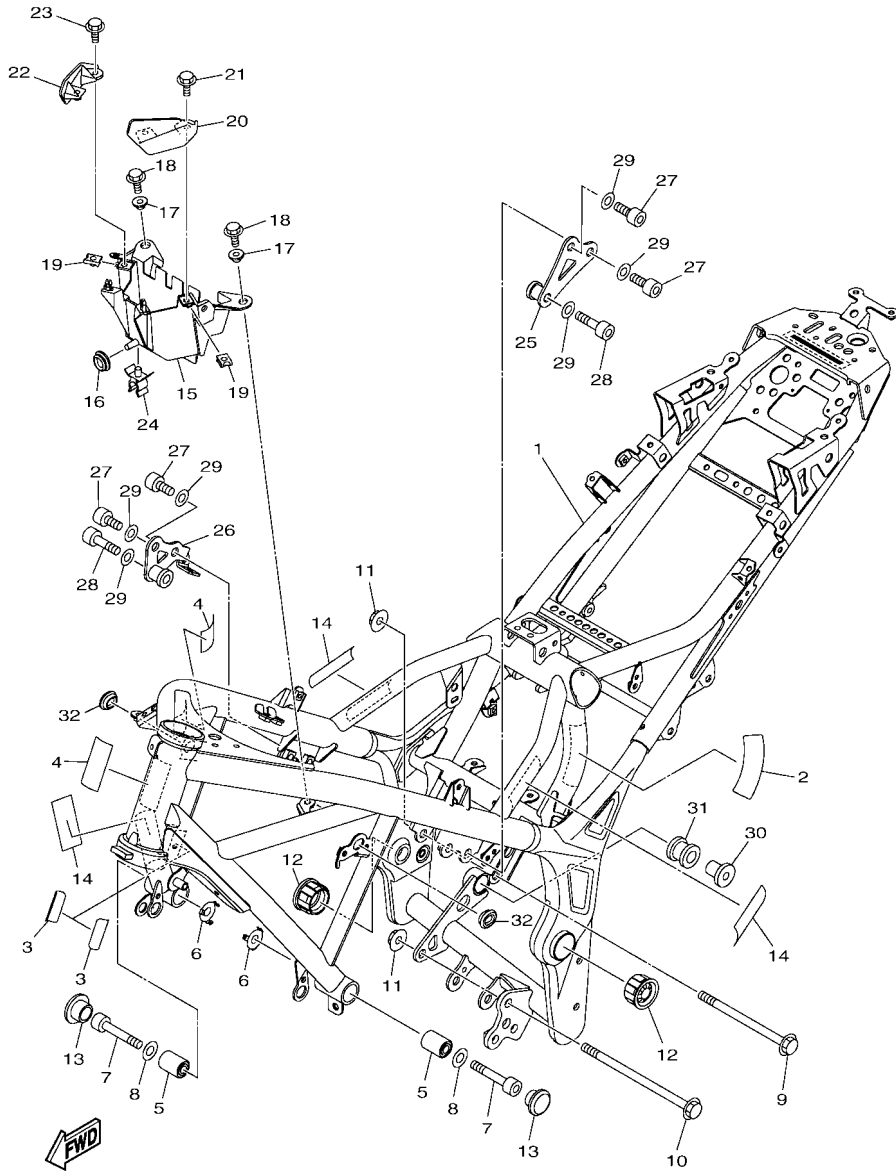

1WD1460-P150

FIG. 16 SHIFT SHAFT



1WD8010-R160

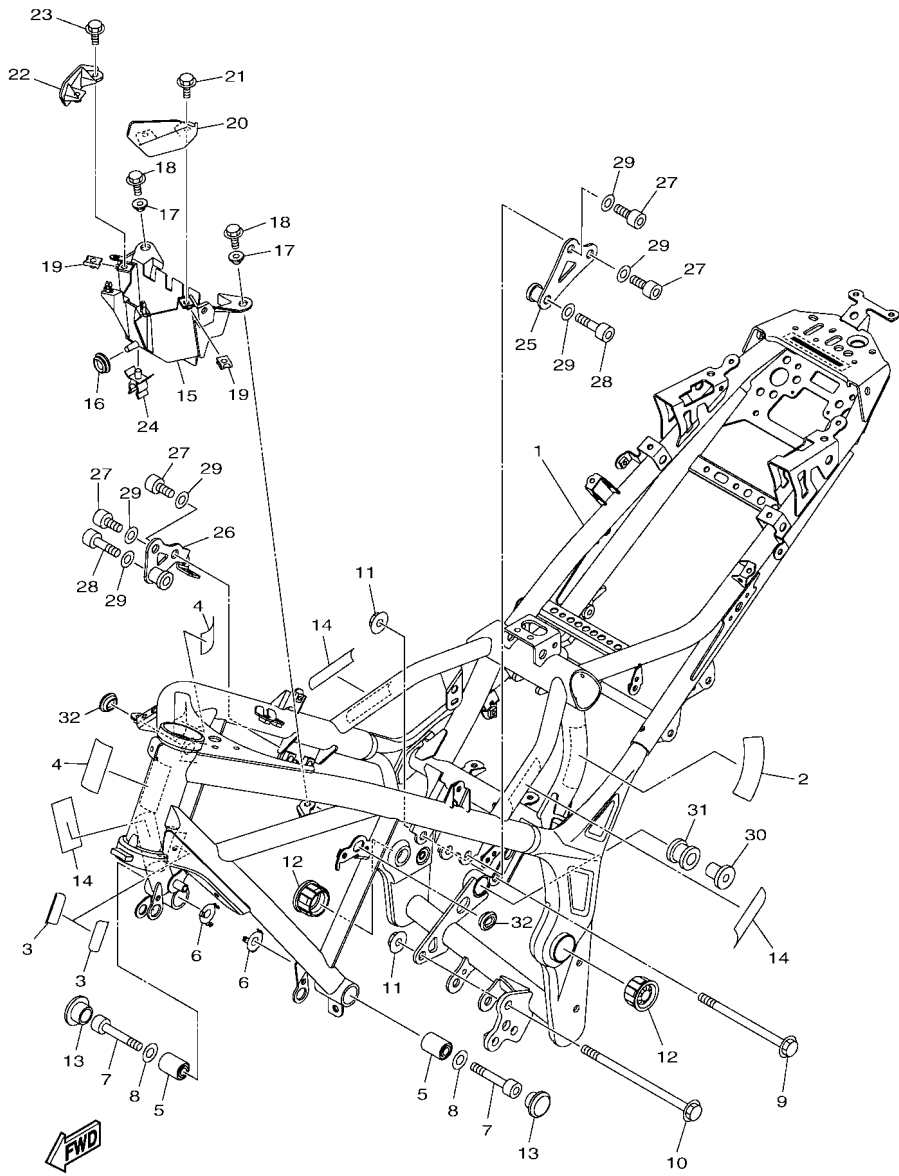
REF. NO.	PART NO.	DESCRIPTION	BFB1				REMARKS
1	1WD-E8337-00	SPRING	1				
2	1WD-E8127-10	STOPPER, SCREW	1				
3	1WD-E8175-00	SPACER	1				
4	1WD-E8101-00	SHIFT SHAFT ASSY	1				
5	90508-29806	.SPRING, TORSION	1				
6	99009-12400	.CIRCLIP	2				
7	90201-127E1	WASHER, PLATE	1				
8	1WD-E8140-01	STOPPER LEVER ASSY	1				
9	93317-11295	BEARING	1				
10	93102-12891	OIL SEAL	1				
11	B1X-E8110-00	SHIFT PEDAL ASSY	1				
12	1WD-E8111-00	.PEDAL, SHIFT	1				
13	1EG-E8113-01	.COVER, SHIFT PEDAL	1				
14	1WD-E8115-00	.ROD, SHIFT	1				
15	90170-06023	.NUT	1				
16	95302-06600	.NUT, HEXAGON	1				
17	B1X-E8112-00	.ARM, SHIFT	1				
18	BS8-F7261-00	SHAFT	1				
19	90206-14001	WASHER, WAVE	1				
20	90201-10021	WASHER, PLATE	1				
21	97012-06020	BOLT	1				



BFB1440-Y170

FIG. 17 FRAME

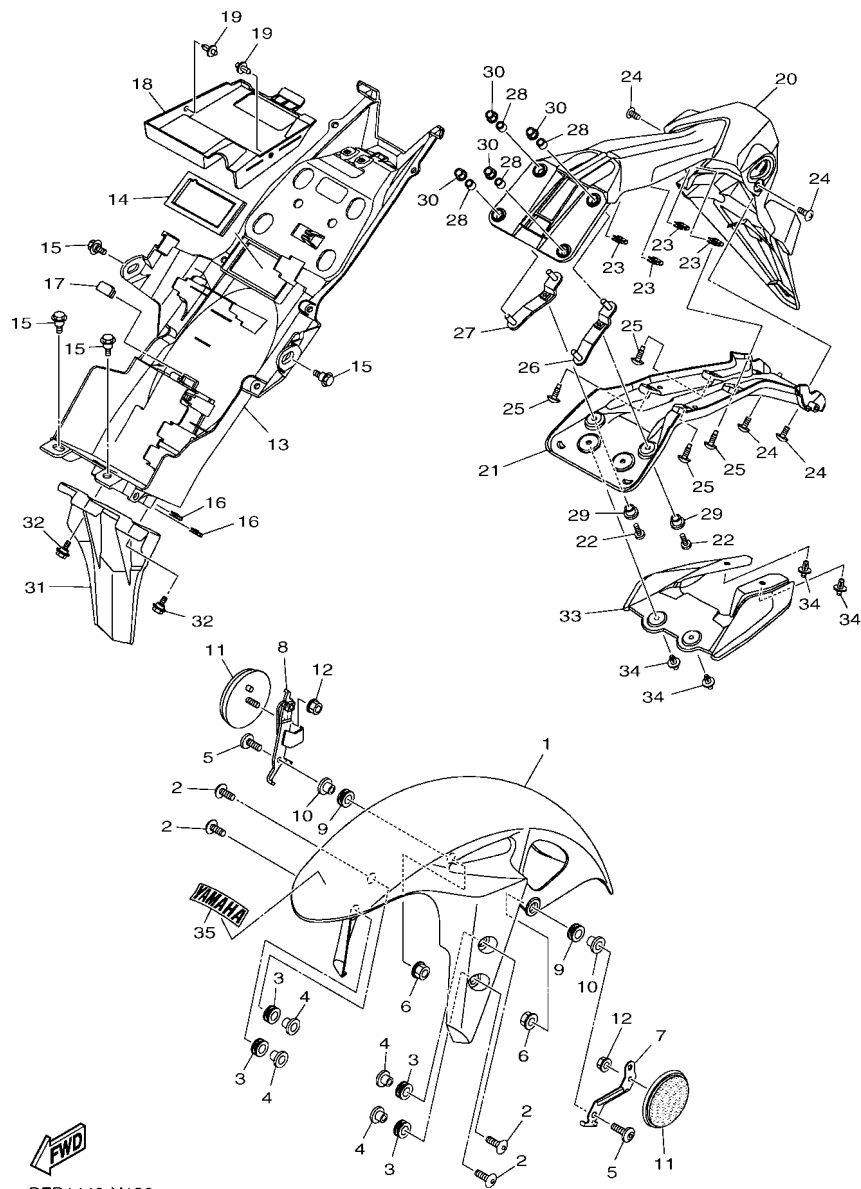
REF. NO.	PART NO.	DESCRIPTION	BFB1			REMARKS
1	B04-F1110-01-P1	FRAME COMP.	1			MBL2
2	1WD-F1652-00	PROTECTOR	1			
3	1WD-F193A-00	PROTECTOR	2			
4	5D9-F414G-00	SEAL	2			
5	90388-10816	DAMPER	2			
6	1WD-F191B-00	PLATE 1	2			
7	91317-10060	BOLT, HEXAGON SOCKET HEAD	2			
8	90201-10854	WASHER, PLATE	2			
9	90105-10889	BOLT, FLANGE	1			
10	90105-10891	BOLT, FLANGE	1			
11	90179-10805	NUT	2			
12	1WD-F135F-00	COVER	2			
13	90338-23801	PLUG	2			
14	B04-F414G-00	SEAL	3			
15	1WD-F1171-00	BOX	1			
16	90480-13398	GROMMET	1			
17	90387-07819	COLLAR	2			
18	95022-06014	BOLT, FLANGE	2			
19	90183-06818	NUT, SPRING	2			
20	BGJ-F117F-00	COVER	1			
21	90119-06209	BOLT, WITH WASHER	1			
22	BGJ-F117M-00	COVER 2	1			
23	90119-06209	BOLT, WITH WASHER	1			
24	90464-12015	CLAMP	1			
25	B1X-F122A-00	STAY 1	1			
26	B04-F122B-00	STAY 2	1			
27	91317-10020	BOLT, HEXAGON SOCKET HEAD	4			



BFB1440-Y170

FIG. 17 FRAME

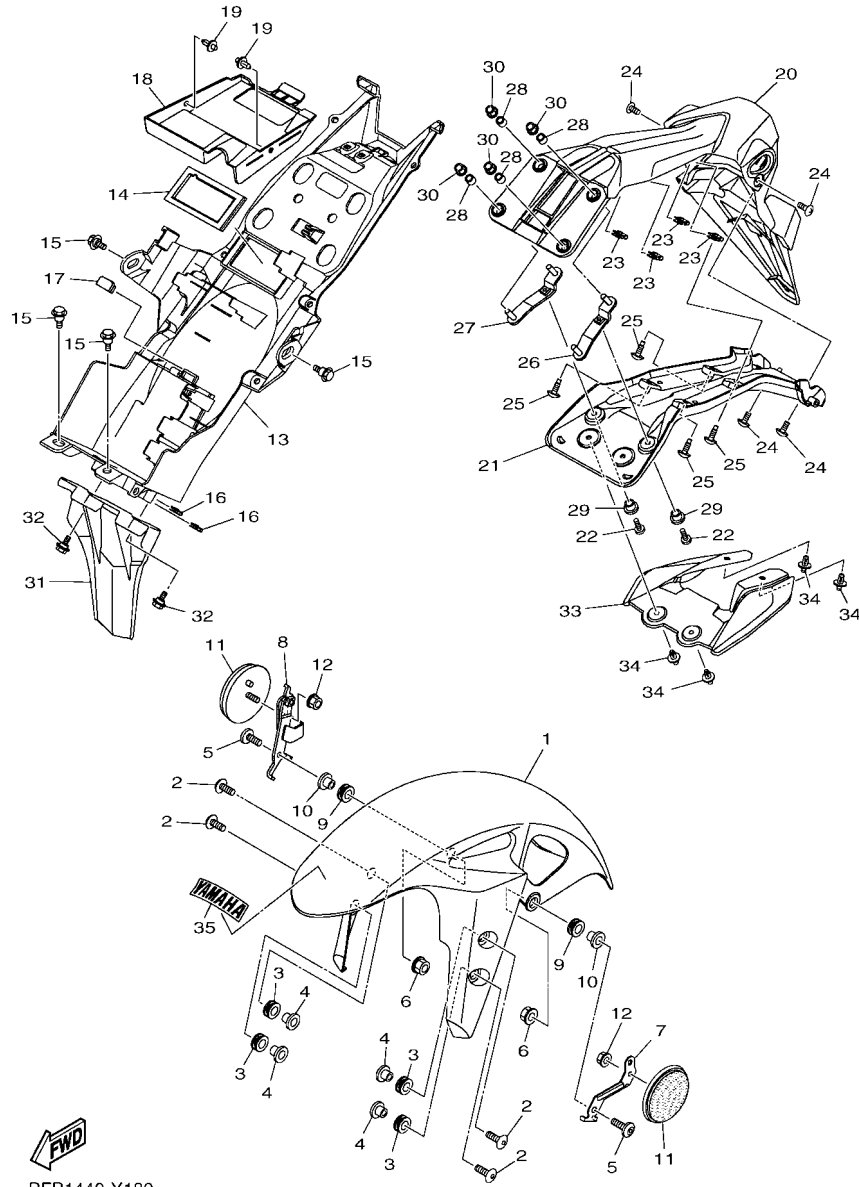
REF. NO.	PART NO.	DESCRIPTION	BFB1				REMARKS
28	91317-10045	BOLT, HEXAGON SOCKET HEAD	2				
29	92907-10600	WASHER, PLATE	6				
30	90387-08813	COLLAR	1				
31	5TP-E4747-00	DAMPER, MUFFLER	1				
32	90480-01558	GROMMET	2				



BFB1440-Y180

FIG. 18 FENDER

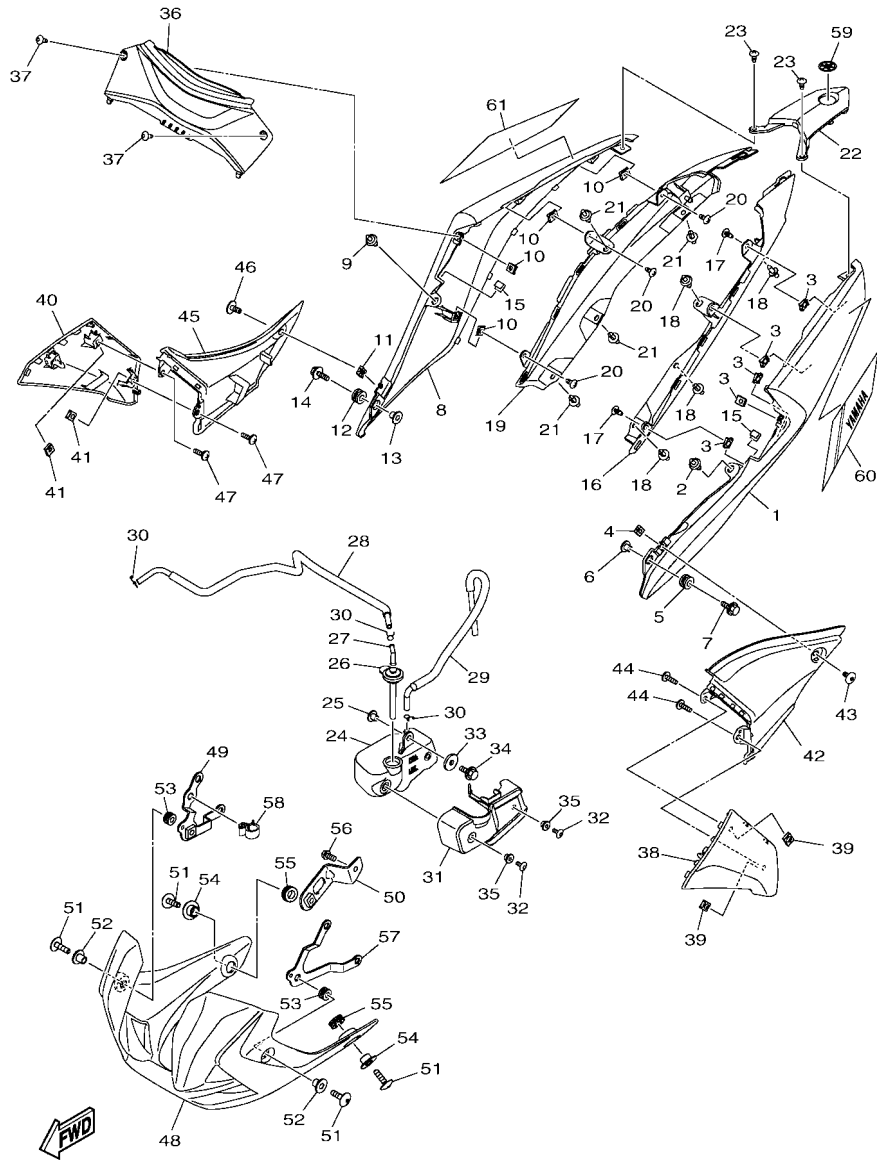
REF. NO.	PART NO.	DESCRIPTION	BFB1			REMARKS
1	BS7-F1511-00-PA	FENDER, FRONT	1			UR FOR DPBMC
	BS7-F1511-00-3E	FENDER, FRONT	1			UR FOR PGD
2	90111-06137	BOLT, HEXAGON SOCKET BUTTON	4			
3	90480-12808	GROMMET	4			
4	90387-06899	COLLAR	4			
5	90111-06847	BOLT, HEXAGON SOCKET BUTTON	2			
6	95702-06500	NUT, FLANGE	2			
7	B5L-F113J-00	BRACKET, REFLECTOR 1	1			
8	B5L-F113K-01	BRACKET, REFLECTOR 2	1			
9	90480-12808	GROMMET	2			
10	90387-06899	COLLAR	2			
11	2FC-H5111-00	REFLECTOR, 1	2			
12	95702-05500	NUT, FLANGE	2			
13	BR5-F1611-01	FENDER, REAR	1			
14	1WD-F1669-00	SEAL	1			
15	90109-063F1	BOLT	4			
16	90183-05076	NUT, SPRING	2			
17	1WD-F16A2-00	SEAL, 2	1			
18	BR5-F163E-01	COVER, REAR FENDER 2	1			
19	90269-06816	RIVET	2			
20	B1X-F1629-00	GUARD, MUD	1			
21	1WD-F1617-01	BRACKET, FENDER	1			
22	90111-05021	BOLT, HEXAGON SOCKET BUTTON	2			
23	90183-050A7	NUT, SPRING	4			
24	97707-50016	SCREW, TRUSS HEAD TAPPING	4			
25	90111-05018	BOLT, HEXAGON SOCKET BUTTON	4			
26	1WD-F1688-00	BRACKET, REAR STAY	1			



BFB1440-Y180

FIG. 18 FENDER

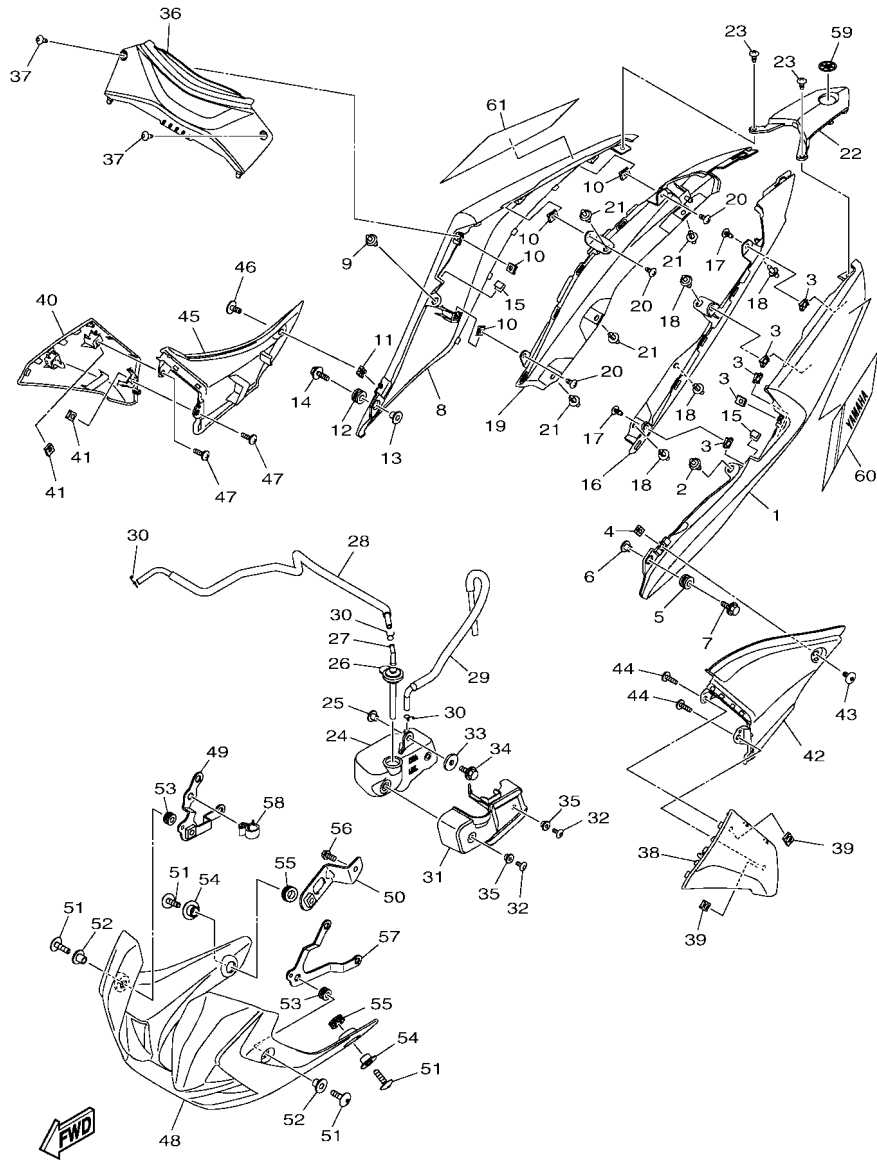
REF. NO.	PART NO.	DESCRIPTION	BFB1				REMARKS
27	1WD-F1689-00	BRACKET, REAR STAY 2	1				
28	90387-066J9	COLLAR	4				
29	90387-068L9	COLLAR	2				
30	95602-06200	NUT, SELF-LOCKING	4				
31	1WD-F1621-01	FLAP	1				
32	90109-05003	BOLT	2				
33	1WD-F163A-00	COVER, REAR FENDER 1	1				
34	90269-06816	RIVET	4				
35	5BP-F153E-F0	EMBLEM, YAMAHA	1				UR FOR DPBMC
	5BP-F153E-11	EMBLEM, YAMAHA	1				UR FOR PGD



BFB1440-Y190

FIG. 19 SIDE COVER

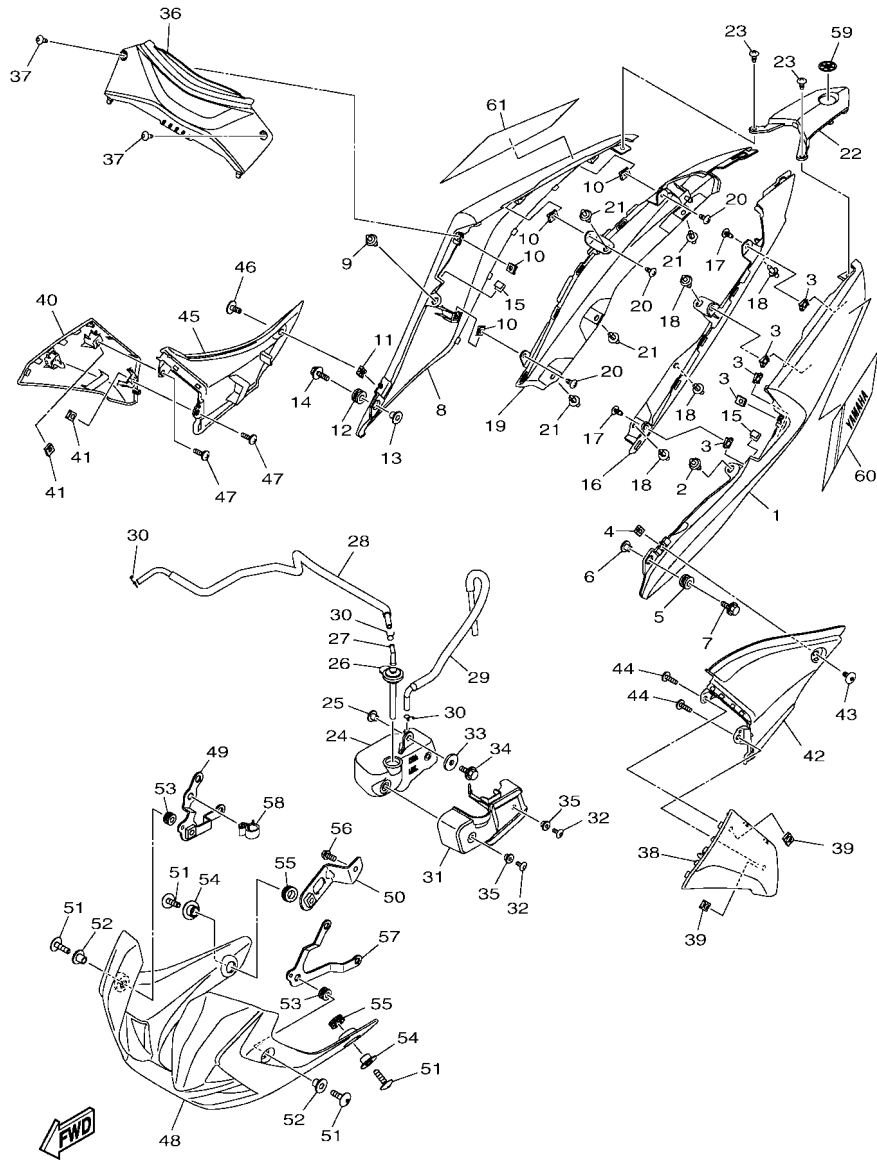
REF. NO.	PART NO.	DESCRIPTION	BFB1			REMARKS
1	1WD-F1711-00-PC	COVER, SIDE 1	1			UR FOR DPBMC
	1WD-F1711-00-3E	COVER, SIDE 1	1			UR FOR PGD
2	90269-06816	RIVET	1			
3	90183-05807	NUT, SPRING	5			
4	90183-050A7	NUT, SPRING	1			
5	90480-12808	GROMMET	1			
6	90387-06899	COLLAR	1			
7	90119-06810	BOLT, WITH WASHER	1			
8	1WD-F1721-00-PC	COVER, SIDE 2	1			UR FOR DPBMC
	1WD-F1721-00-3E	COVER, SIDE 2	1			UR FOR PGD
9	90269-06816	RIVET	1			
10	90183-05807	NUT, SPRING	4			
11	90183-050A7	NUT, SPRING	1			
12	90480-12808	GROMMET	1			
13	90387-06899	COLLAR	1			
14	90119-06810	BOLT, WITH WASHER	1			
15	31B-F8307-00	SEAL	2			
16	1WD-F171L-00	MOLE, SIDE COVER 1	1			
17	97707-50016	SCREW, TRUSS HEAD TAPPING	2			
18	90269-06816	RIVET	4			
19	1WD-F171M-00	MOLE, SIDE COVER 2	1			
20	97707-50016	SCREW, TRUSS HEAD TAPPING	3			
21	90269-06816	RIVET	4			
22	1WD-F171N-00	MOLE, SIDE COVER 3	1			
23	97707-50016	SCREW, TRUSS HEAD TAPPING	2			
24	1WD-F1871-01	TANK, RECOVERY	1			
25	90387-06857	COLLAR	1			



BFB1440-Y190

FIG. 19 SIDE COVER

REF. NO.	PART NO.	DESCRIPTION	BFB1		REMARKS
26	1WD-F1875-01	CAP	1		
27	3C1-F1828-00	ELBOW	1		
28	1WD-F1816-02	PIPE 1	1		
29	1WD-F1817-02	PIPE 2	1		
30	90467-08003	CLIP	3		
31	BS7-F172W-00	COVER	1		
32	90111-05003	BOLT, HEXAGON SOCKET BUTTON	2		
33	90201-06380	WASHER PLAIN	1		
34	95807-06014	BOLT, FLANGE	1		
35	90560-06244	SPACER	2		
36	1WD-F1731-00-PA	COVER, SIDE 3	1		UR FOR DPBMC
	1WD-F1731-00-3E	COVER, SIDE 3	1		UR FOR PGD
37	90160-05810	SCREW, ROUND TAPPING	2		
38	B9T-F171E-00-P0	COVER, SIDE 5	1		UR FOR DPBMC
	B9T-F171E-00-3E	COVER, SIDE 5	1		UR FOR PGD
39	90183-05807	NUT, SPRING	2		
40	B9T-F171X-00-P0	COVER, SIDE 6	1		UR FOR DPBMC
	B9T-F171X-00-3E	COVER, SIDE 6	1		UR FOR PGD
41	90183-05807	NUT, SPRING	2		
42	B9T-F1716-00	LID, SIDE COVER	1		
43	90111-05003	BOLT, HEXAGON SOCKET BUTTON	1		
44	97702-50016	SCREW, TAPPING	2		
45	B9T-F1726-00	LID, SIDE COVER 2	1		
46	90111-05003	BOLT, HEXAGON SOCKET BUTTON	1		
47	97702-50016	SCREW, TAPPING	2		
48	BGJ-F8385-00-P0	COVER, UNDER	1		MDNM8
49	BGJ-F833F-00	BRACKET 9	1		

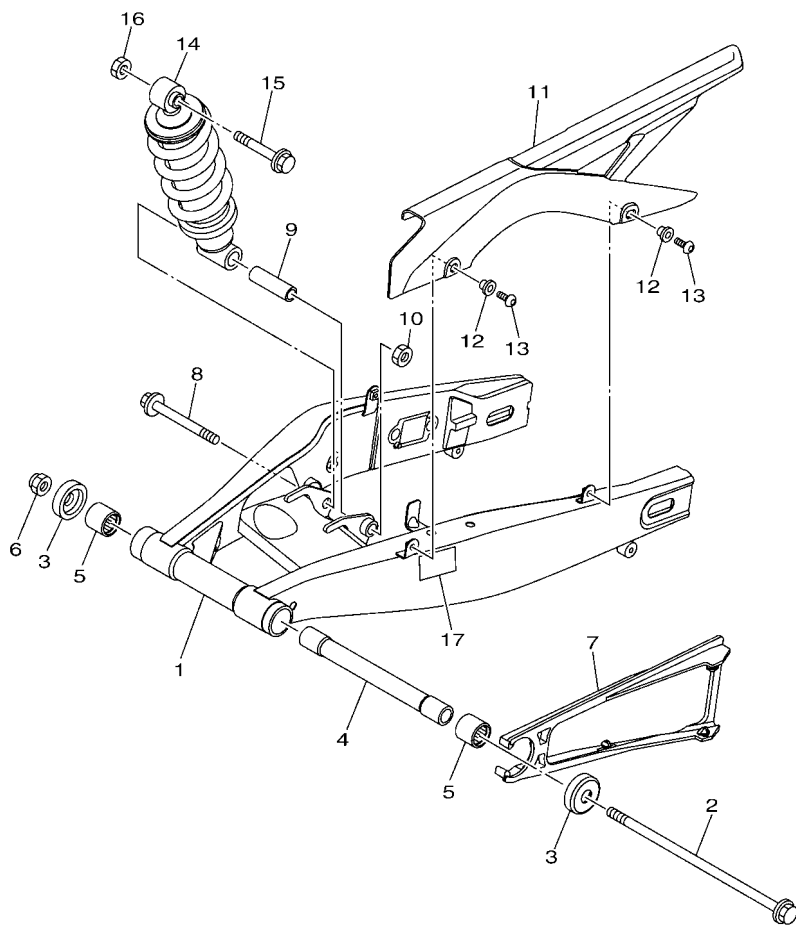


BFB1440-Y190

FIG. 19 SIDE COVER

REF. NO.	PART NO.	DESCRIPTION	BFB1				REMARKS
50	BGJ-F833G-00	BRACKET 10	1				
51	90111-06117	BOLT, HEXAGON SOCKET BUTTON	4				
52	90387-06899	COLLAR	2				
53	90480-12808	GROMMET	2				
54	90387-09801	COLLAR	2				
55	90480-18418	GROMMET	2				
56	95022-06012	BOLT, FLANGE	1				
57	BGJ-F833E-00	BRACKET 8	1				
58	90464-08008	CLAMP	1				
59	1PA-F836B-01	TUNING FORK MARK	1				
60	BEV-F173E-00	GRAPHIC 1	1				UR FOR DPBMC
	BEV-F173E-10	GRAPHIC 1	1				UR FOR PGD
61	BEV-F173F-00	GRAPHIC 2	1				UR FOR DPBMC
	BEV-F173F-10	GRAPHIC 2	1				UR FOR PGD

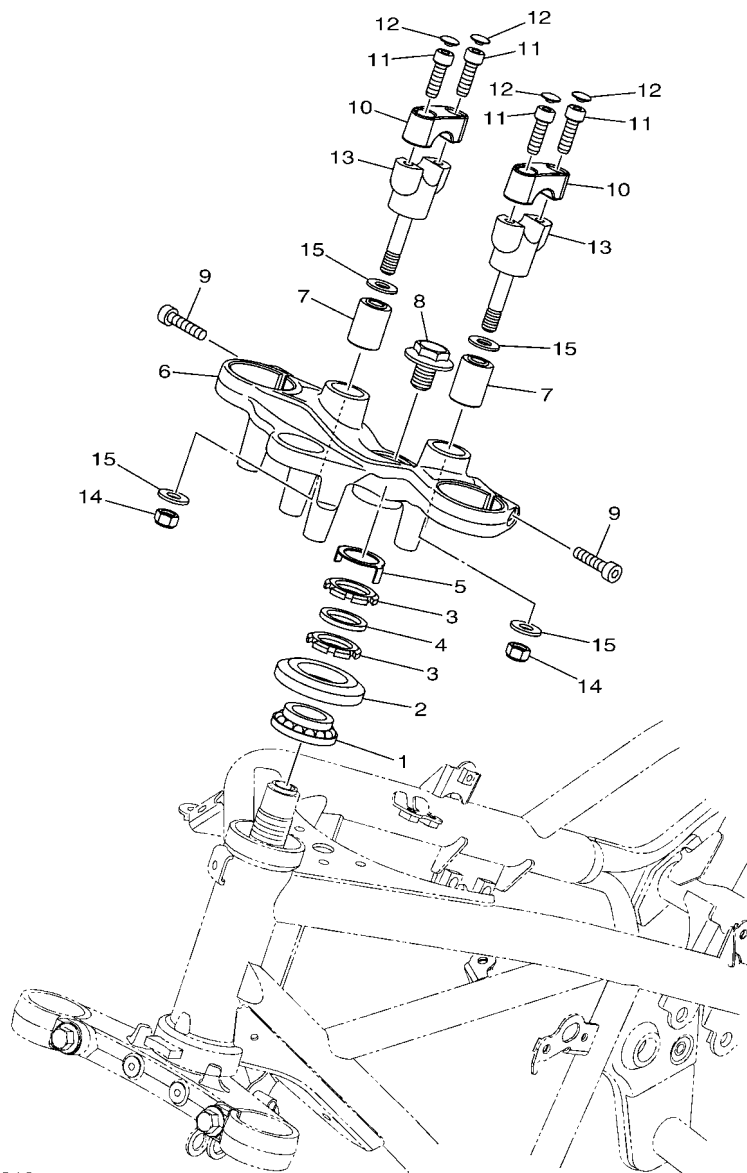
FIG. 20 REAR ARM & SUSPENSION




B041460-R200

REF. NO.	PART NO.	DESCRIPTION	BFB1				REMARKS
1	1WD-F2110-00	REAR ARM COMP.	1				MBL2
2	1WD-22141-00	SHAFT, PIVOT	1				
3	1WD-F2129-01	COVER, THRUST 2	2				
4	1WD-F2184-00	BUSH	1				
5	93320-32403	BEARING	2				
6	95602-14200	NUT, SELF-LOCKING	1				
7	1WD-F2151-00	SEAL, GUARD	1				
8	90105-12309	BOLT, FLANGE	1				
9	1WD-F248B-00	COLLAR, ROD 1	1				
10	95602-12100	NUT, U	1				
11	1WD-F2311-01	CASE, CHAIN	1				
12	90387-06242	COLLAR	2				
13	90111-06119	BOLT, HEXAGON SOCKET BUTTON	2				
14	BS7-F2210-20	SHOCK ABSORBER ASSY, REAR	1				
15	90105-12093	BOLT, FLANGE	1				
16	95602-12100	NUT, U	1				
17	B17-F1668-00	LABEL, TIRE	1				

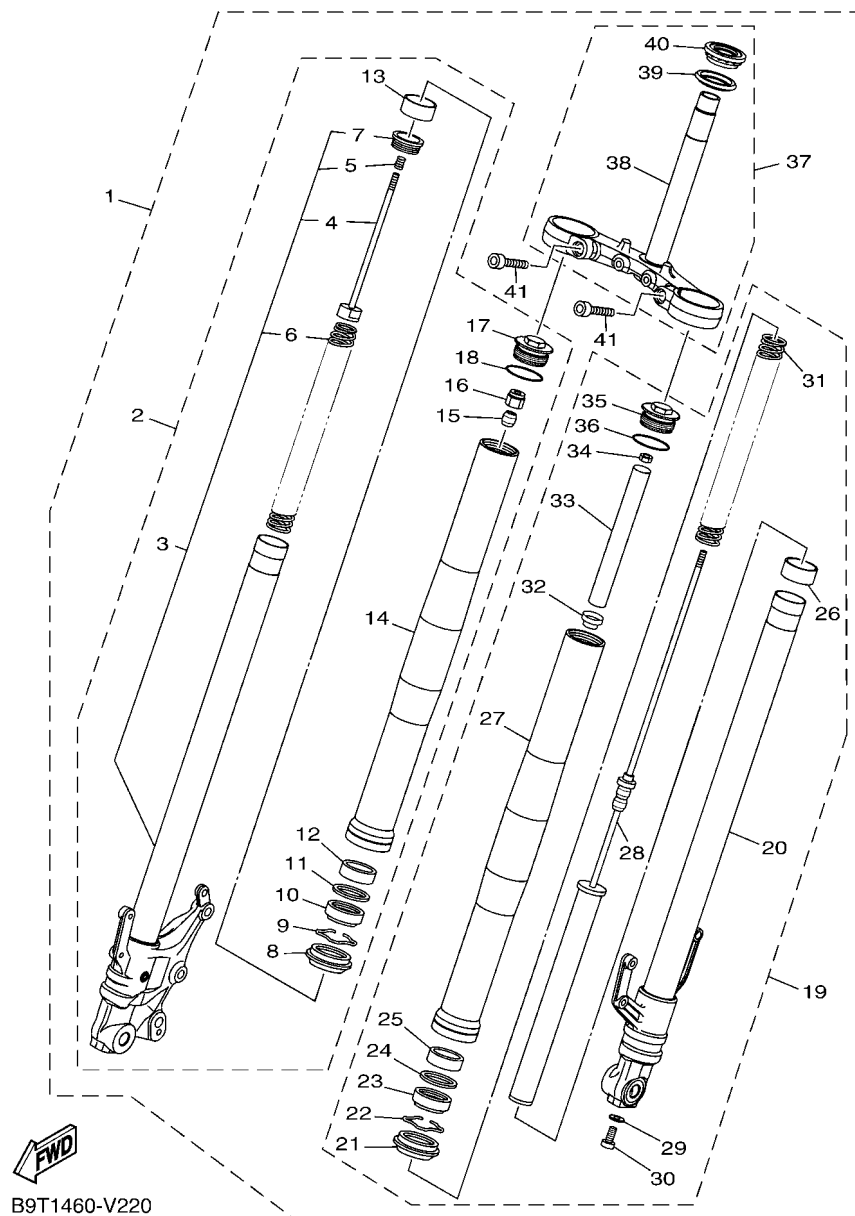
FIG. 21 STEERING



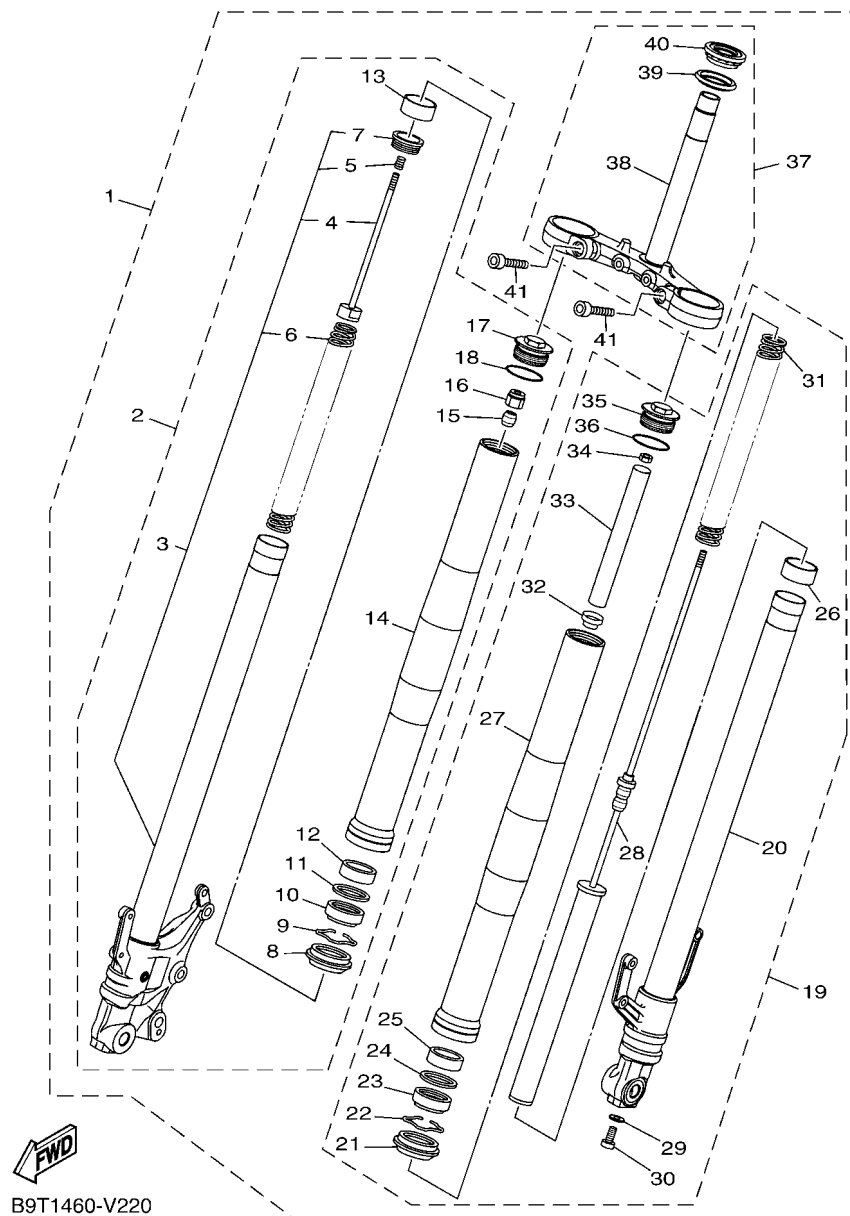
B9T1460-V210

REF. NO.	PART NO.	DESCRIPTION	BFB1				REMARKS
1	93399-999Y3	BEARING	1				
2	5BP-F3416-10	COVER, BALL RACE 2	1				
3	90179-25615	NUT	2				
4	90202-26142	WASHER, PLATE	1				
5	5BP-F3418-00	WASHER, SPECIAL	1				
6	B9T-F3435-00	CROWN, HANDLE	1				
7	90388-10816	DAMPER	2				
8	90105-14102	BOLT, FLANGE	1				
9	91317-08030	BOLT, HEXAGON SOCKET HEAD	2				
10	B04-F3441-00-P2	HOLDER, HANDLE UPPER	2				MBL2
11	91317-08025	BOLT, HEXAGON SOCKET HEAD	4				
12	90338-06810	PLUG	4				
13	B9T-F3442-00	HOLDER, HANDLE LOWER	2				
14	95607-10100	NUT, U	2				
15	90201-10074	WASHER, PLATE	4				

FIG. 22 FRONT FORK



REF. NO.	PART NO.	DESCRIPTION	BFB1				REMARKS
1	B9T-F3100-10	FRONT FORK ASSY	1				
2	B9T-F3103-10	.DAMPER ASSY. (R)	1				
3	B9T-F3120-10	..INNER TUBE COMP.2	1				
4	BK6-F330G-00	...ROD COMP.	1				
5	3AH-22222-00	...SPRING 2	1				
6	B9T-F3141-00	...SPRING, FRONT FORK	1				
7	BK6-F319U-00	...CAP	1				
8	B48-F3144-00	..SEAL, DUST	1				
9	3R4-23153-00	..RING, SNAP	1				
10	BK6-F3145-00	..OIL SEAL	1				
11	31A-23149-31	..WASHER, SPRING UPPER	1				
12	31A-23125-31	..METAL, SLIDE 1	1				
13	BK6-F3171-00	..PISTON, FRONT FORK	1				
14	B9T-F3126-00	..TUBE, OUTER	1				
15	BK6-F332K-00	..BUMP, STOP	1				
16	BK6-F3393-00	..NUT, SPECIAL	1				
17	BS7-F3111-00	..BOLT, CAP	1				
18	4V4-23188-L0	..O-RING	1				
19	B9T-F3102-00	..DEMPER ASSY. (L)	1				
20	BS7-F3110-00	..INNER TUBE COMP.1	1				
21	B48-F3144-00	..SEAL, DUST	1				
22	3R4-23153-00	..RING, SNAP	1				
23	BK6-F3145-00	..OIL SEAL	1				
24	31A-23149-31	..WASHER, SPRING UPPER	1				
25	31A-23125-31	..METAL, SLIDE 1	1				
26	BK6-F3171-00	..PISTON, FRONT FORK	1				
27	B9T-F3126-00	..TUBE, OUTER	1				

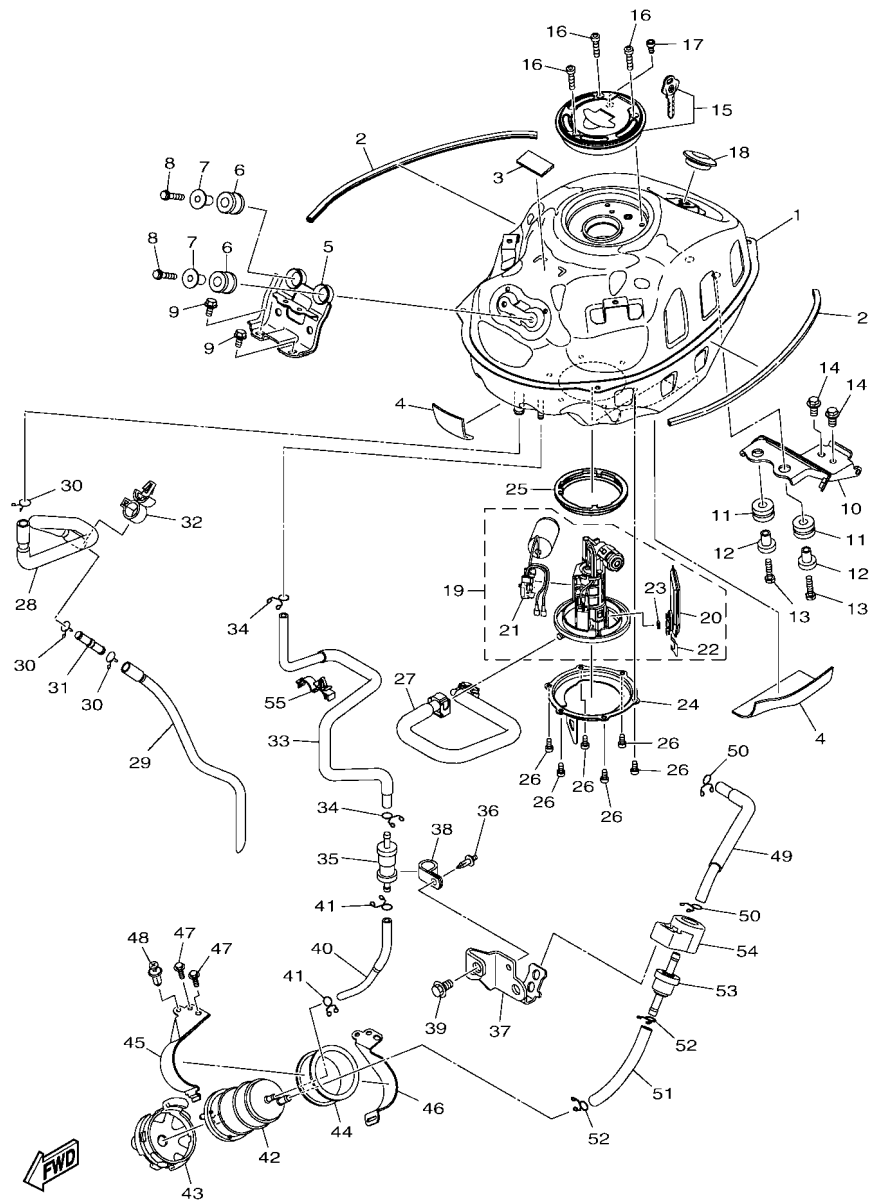


B9T1460-V220

FIG. 22 FRONT FORK

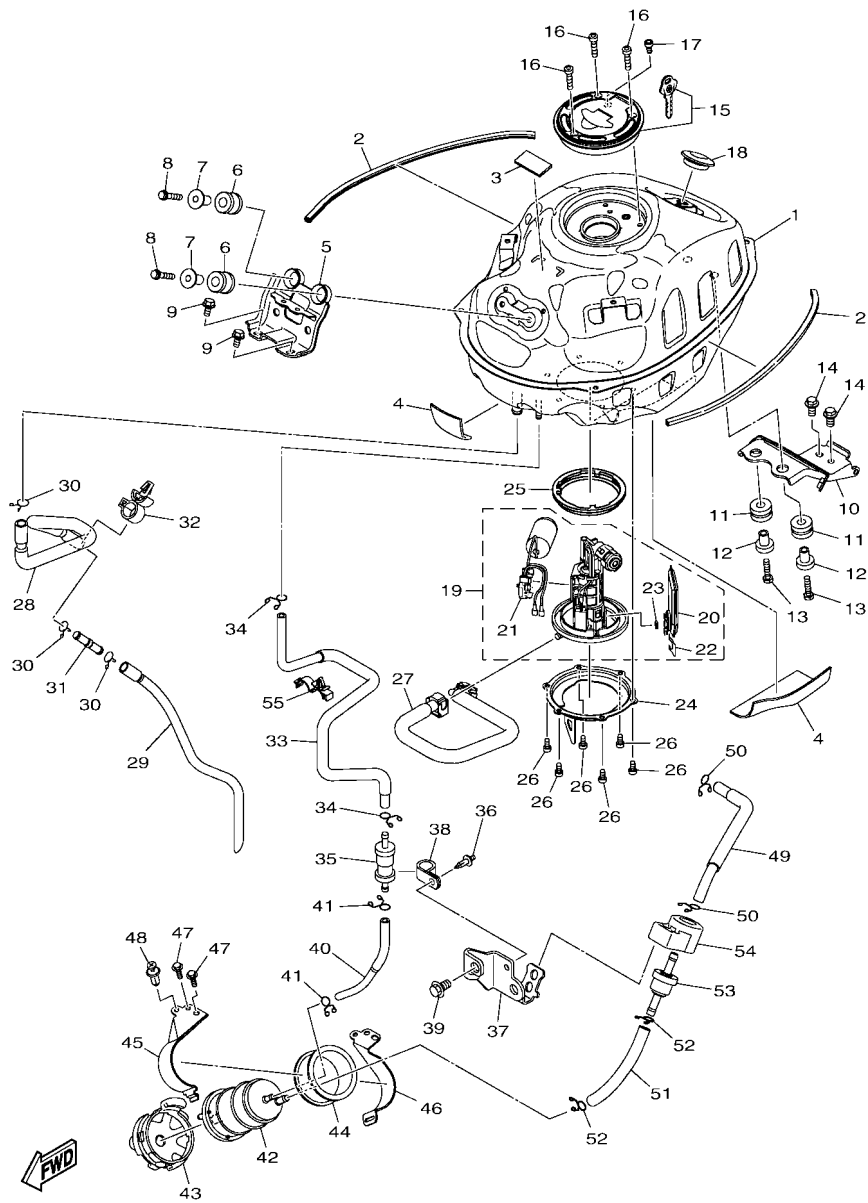
REF. NO.	PART NO.	DESCRIPTION	BFB1				REMARKS
28	B9T-F3170-00	..CYLINDER COMP., FRONT FORK	1				
29	2BU-F3158-00	..GASKET	1				
30	31B-F3181-00	..BOLT, HEXAGON SOCKET HEAD	1				
31	B9T-F3141-00	..SPRING, FRONT FORK	1				
32	BK6-F3117-00	..GUIDE, SPRING	1				
33	BS7-F3118-00	..SPACER	1				
34	BK6-F3357-00	..NUT	1				
35	BS7-F3111-00	..BOLT, CAP	1				
36	4V4-23188-L0	..O-RING	1				
37	BS7-F334M-00	..UNDER BRACKET ASSY.	1				
38	BS7-F3340-00	..UNDER BRACKET COMP.	1				
39	3FV-23462-00	..SEAL, STEERING	1				
40	93399-99932	..BEARING	1				
41	91317-10040	..BOLT, HEXAGON SOCKET HEAD	2				

FIG. 23 FUEL TANK



BGJ1516-W230

REF. NO.	PART NO.	DESCRIPTION	BFB1			REMARKS
1	BS7-F4110-00	FUEL TANK COMP.	1			
2	BS7-F4188-00	MOLD, FUEL TANK	2			
3	5D9-H2126-00	PAD, BATTERY	1			
4	90520-02843	DAMPER, PLATE	2			
5	B9T-F412Y-00	BRACKET, TANK FITTING	1			
6	90480-18813	GROMMET	2			
7	90387-068M3	COLLAR	2			
8	97022-06030	BOLT, HEXAGON	2			
9	95817-06012	BOLT, FLANGE	2			
10	BS7-F4191-01	BRACKET, FUEL TANK 1	1			
11	90480-15807	GROMMET	2			
12	90387-068S8	COLLAR	2			
13	97022-06030	BOLT, HEXAGON	2			
14	95022-08014	BOLT, FLANGE	2			
15	BS7-WF461-00	CAP ASSY WITH LOCK	1			
16	90110-05806	BOLT, HEXAGON SOCKET HEAD	3			
17	91312-05010	BOLT, HEXAGON SOCKET HEAD	1			
18	90480-01806	GROMMET	1			
19	BS7-E3907-01	FUEL PUMP COMP.	1			
20	3C1-E3915-00	.FILTER	1			
21	BS7-H5752-00	.SENDER	1			
22	3C1-F4519-00	.CLIP	1			
23	3C1-24512-00	.GASKET	1			
24	BS7-F4491-00	BRACKET, FUEL PUMP	1			
25	3C1-F4486-00	O-RING	1			
26	91312-05010	BOLT, HEXAGON SOCKET HEAD	6			
27	1WD-E3971-02	PIPE, FUEL 1	1			

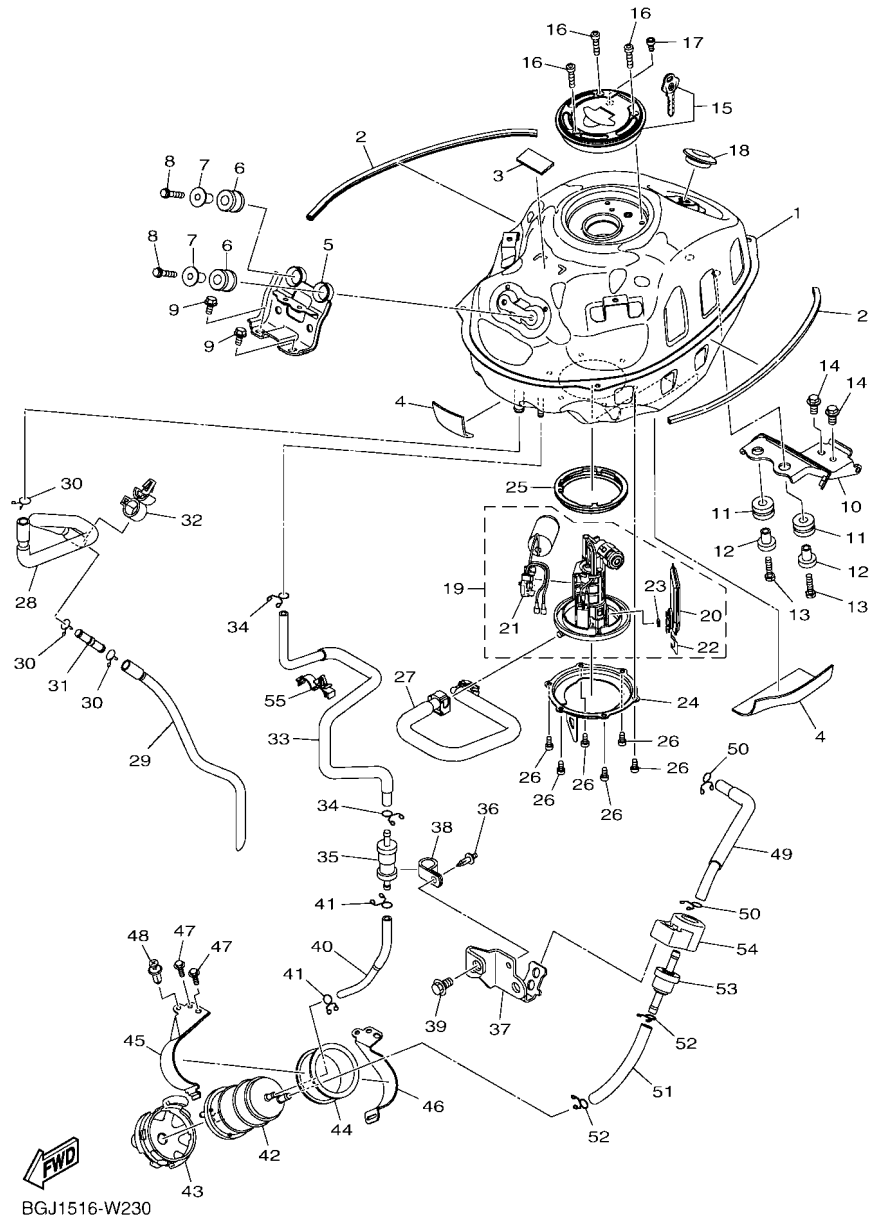


BGJ1516-W230

FIG. 23 FUEL TANK

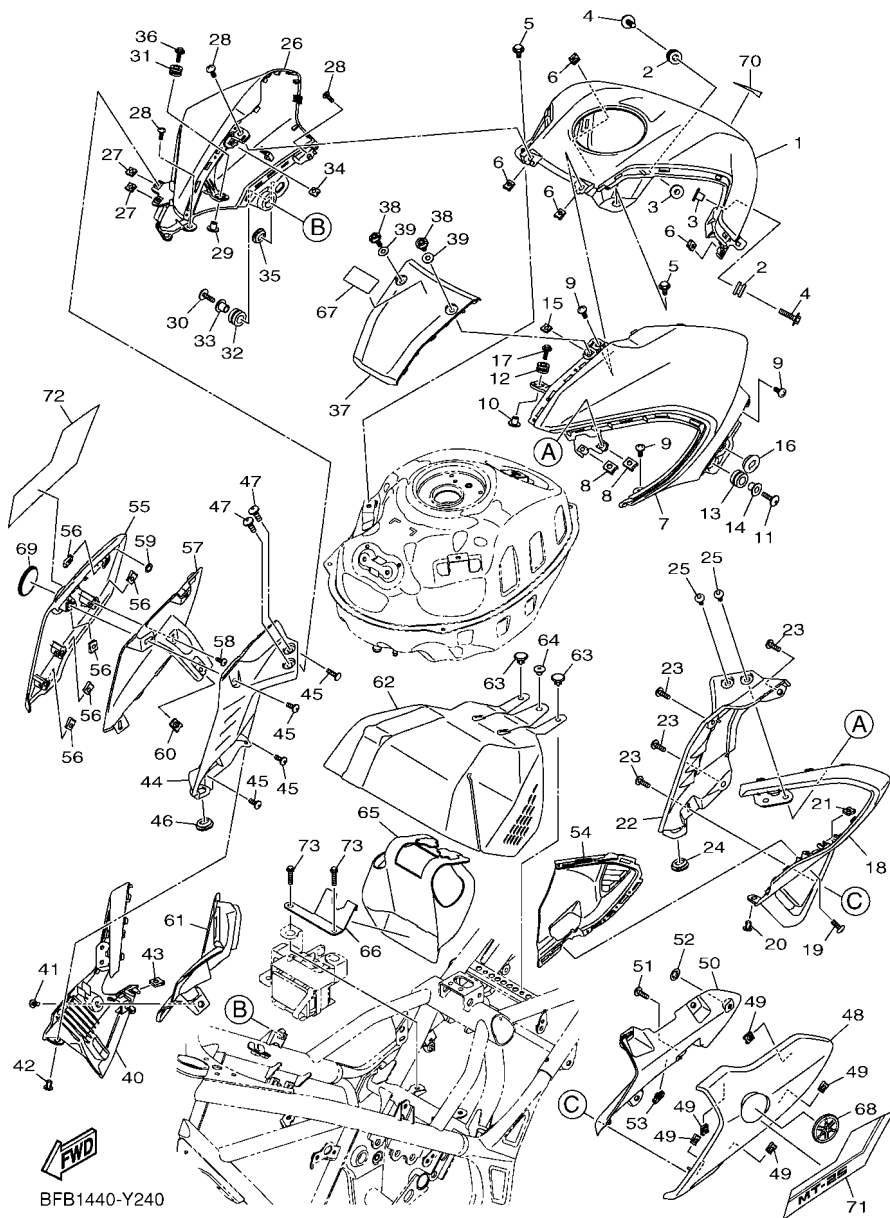
REF. NO.	PART NO.	DESCRIPTION	BFB1				REMARKS
28	1WD-F4312-01	PIPE 2	1				
29	B9T-F4314-00	PIPE 4	1				
30	90467-15012	CLIP	3				
31	1WD-F4376-00	PIPE, JOINT 1	1				
32	90464-16012	CLAMP	1				
33	2MS-F4314-01	PIPE 4	1				
34	90467-09006	CLIP	2				
35	1DW-F4180-02	ROLL OVER VALVE ASSY	1				
36	90269-05008	RIVET	1				
37	B1X-F419F-00	BRACKET, CANISTOR	1				
38	90464-15014	CLAMP	1				
39	95027-08012	BOLT, FLANGE	1				
40	2MS-F4315-00	PIPE 5	1				
41	90467-09006	CLIP	2				
42	2MS-F4170-00	CANISTER ASSY	1				
43	B1X-F419E-00	COVER, CANISTER	1				
44	2MS-F483H-00	BAND	1				
45	2MS-F115R-00	BRACKET, CANISTER	1				
46	2MS-F134X-00	BRACKET, CANISTER	1				
47	95027-06016	BOLT, FLANGE	2				
48	90269-06816	RIVET	1				
49	B1X-F4316-00	PIPE 6	1				
50	90467-09006	CLIP	2				
51	B1X-F4317-00	PIPE 7	1				
52	90467-11009	CLIP	2				
53	B1X-F4421-00	VALVE, CHECK	1				
54	B1X-F419A-00	HOLDER	1				

FIG. 23 FUEL TANK



REF. NO.	PART NO.	DESCRIPTION	BFB1				REMARKS
55	90464-16006	CLAMP	1				

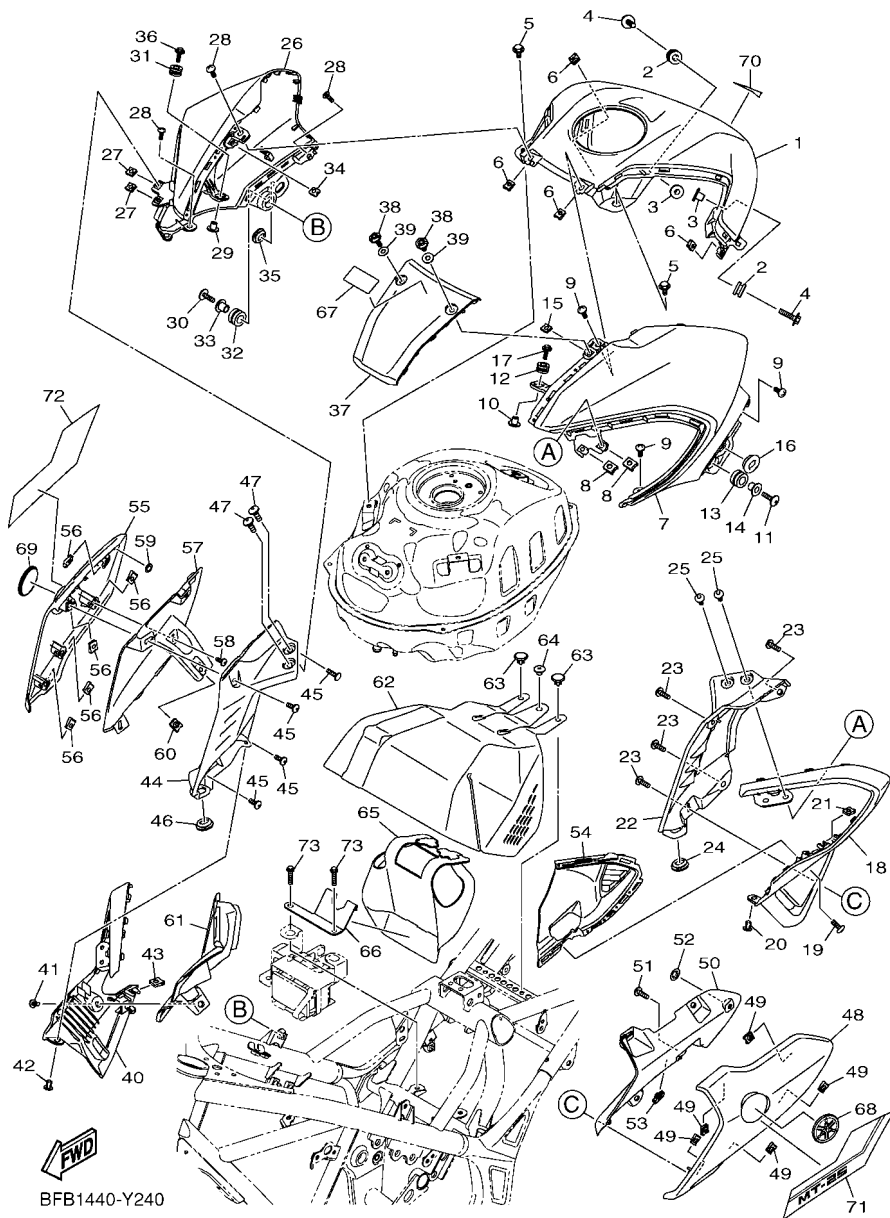
FIG. 24 FUEL TANK 2



BFB1440-Y240

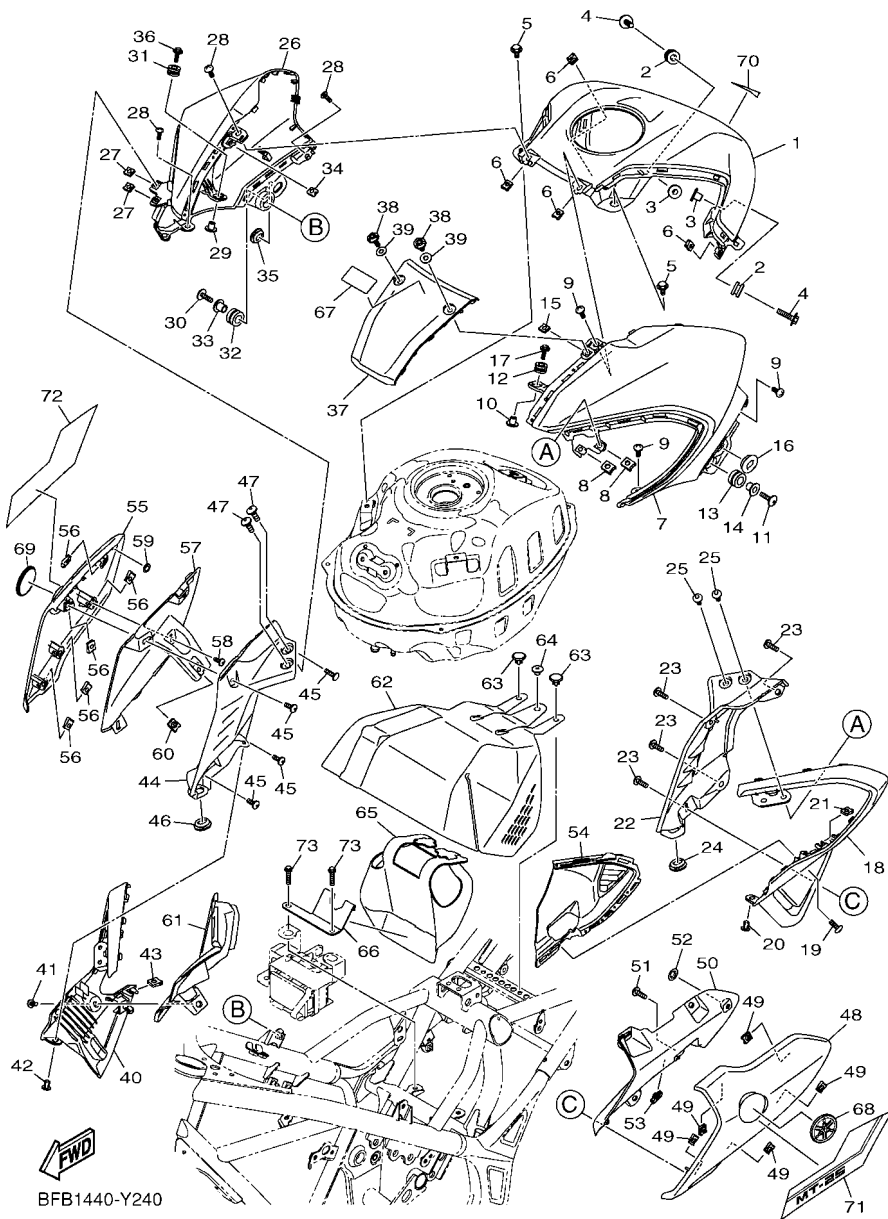
REF. NO.	PART NO.	DESCRIPTION	BFB1	REMARKS
1	B9T-F41B1-00-P2	COVER, TANK	1	UR FOR DPBMC
	B9T-F41B1-00-P3	COVER, TANK	1	UR FOR PGD
2	90480-12808	GROMMET	2	
3	90387-06899	COLLAR	2	
4	90119-06309	BOLT, WITH WASHER	2	
5	90109-068B2	BOLT	2	
6	90183-05807	NUT, SPRING	4	
7	B9T-F4129-00-P0	COVER, TANK SIDE 1	1	UR FOR DPBMC
	B9T-F4129-00-3E	COVER, TANK SIDE 1	1	UR FOR PGD
8	90183-05807	NUT, SPRING	2	
9	97702-50016	SCREW, TAPPING	3	
10	90387-06899	COLLAR	1	
11	90110-06087	BOLT, HEXAGON SOCKET HEAD	1	
12	90480-12808	GROMMET	1	
13	90480-17007	GROMMET	1	
14	90387-10107	COLLAR	1	
15	90183-05076	NUT, SPRING	1	
16	90480-01559	GROMMET	1	
17	90119-05020	BOLT, WITH WASHER	1	
18	B9T-F838N-00	DUCT 1	1	
19	90160-05009	SCREW, ROUND TAPPING	1	
20	90269-06816	RIVET	1	
21	90183-05807	NUT, SPRING	1	
22	B9T-F137K-00	GUIDE, AIR 3	1	
23	97707-50016	SCREW, TRUSS HEAD TAPPING	4	
24	90480-01559	GROMMET	1	
25	90160-05009	SCREW, ROUND TAPPING	2	

FIG. 24 FUEL TANK 2



BFB1440-Y240

REF. NO.	PART NO.	DESCRIPTION	BFB1		REMARKS
26	B9T-F4139-00-P0	COVER, TANK SIDE 2	1		UR FOR DPBMC
	B9T-F4139-00-3E	COVER, TANK SIDE 2	1		UR FOR PGD
27	90183-05807	NUT, SPRING	2		
28	97702-50016	SCREW, TAPPING	3		
29	90387-06899	COLLAR	1		
30	90110-06087	BOLT, HEXAGON SOCKET HEAD	1		
31	90480-12808	GROMMET	1		
32	90480-17007	GROMMET	1		
33	90387-10107	COLLAR	1		
34	90183-05076	NUT, SPRING	1		
35	90480-01559	GROMMET	1		
36	90119-05020	BOLT, WITH WASHER	1		
37	B9T-F171A-00-P0	COVER, TOP	1		UR FOR DPBMC
	B9T-F171A-00-3E	COVER, TOP	1		UR FOR PGD
38	90111-05056	BOLT, HEXAGON SOCKET BUTTON	2		
39	90202-05180	WASHER, PLATE	2		
40	B9T-F838R-00	DUCT 2	1		
41	90160-05009	SCREW, ROUND TAPPING	1		
42	90269-06816	RIVET	1		
43	90183-05807	NUT, SPRING	1		
44	B9T-F137L-00	GUIDE, AIR 4	1		
45	97707-50016	SCREW, TRUSS HEAD TAPPING	4		
46	90480-01559	GROMMET	1		
47	90160-05009	SCREW, ROUND TAPPING	2		
48	B9T-F137W-00-P6	SCOOP, AIR 1	1		UR FOR DPBMC
	B9T-F137W-00-3E	SCOOP, AIR 1	1		UR FOR PGD
49	90183-05807	NUT, SPRING	5		

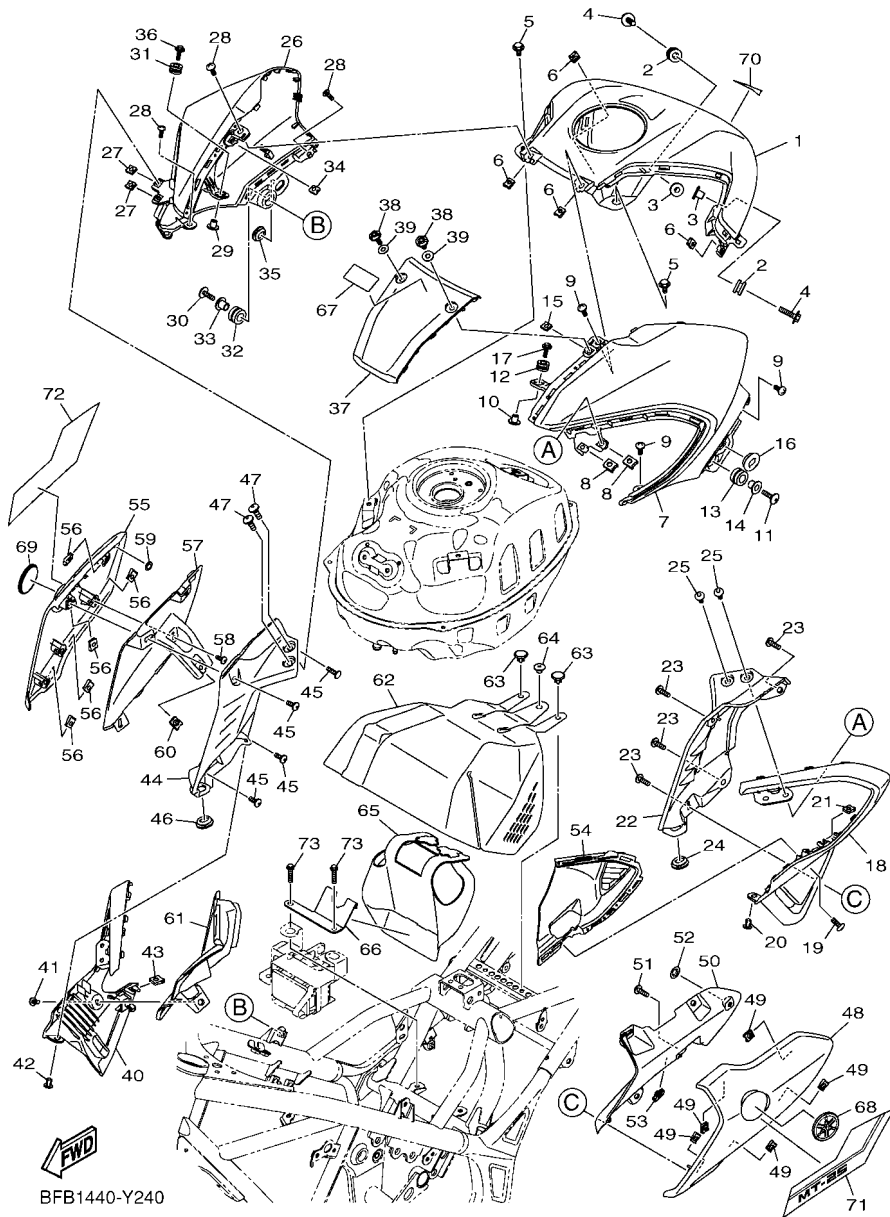


BFB1440-Y240

FIG. 24 FUEL TANK 2

REF. NO.	PART NO.	DESCRIPTION	BFB1		REMARKS
50	B9T-F836K-00	PANEL, INNER 1	1		
51	97707-50016	SCREW, TRUSS HEAD TAPPING	1		
52	90183-05M02	NUT, SPRING	1		
53	90183-05807	NUT, SPRING	1		
54	B9T-F837N-00	GRILL, AIR INTAKE 1	1		
55	B9T-F137X-00-P6	SCOOP, AIR 2	1		UR FOR DPBMC
	B9T-F137X-00-3E	SCOOP, AIR 2	1		UR FOR PGD
56	90183-05807	NUT, SPRING	5		
57	B9T-F836L-00	PANEL, INNER 2	1		
58	97707-50016	SCREW, TRUSS HEAD TAPPING	1		
59	90183-05M02	NUT, SPRING	1		
60	90183-05807	NUT, SPRING	1		
61	B9T-F837R-00	GRILL, AIR INTAKE 2	1		
62	B04-E449E-00	COVER, AIR CLEANER	1		
63	90269-07076	RIVET	2		
64	90269-09001	RIVET	1		
65	B04-F1642-00	GUARD, FLAP	1		
66	B04-F1533-00	STAY, FLAP	1		
67	26P-21568-11	LABEL, WARNING	1		
68	1WD-F413B-01	TUNING FORK MARK, 3D	1		
69	1WD-F413B-01	TUNING FORK MARK, 3D	1		
70	B04-F4254-F0	GRAPHIC, FUEL TANK 7	1		UR FOR DPBMC
	B04-F4254-G0	GRAPHIC, FUEL TANK 7	1		UR FOR PGD
71	B9T-F8391-60	GRAPHIC 1	1		UR FOR DPBMC
	B9T-F8391-70	GRAPHIC 1	1		UR FOR PGD
72	B9T-F8392-60	GRAPHIC 2	1		UR FOR DPBMC
	B9T-F8392-70	GRAPHIC 2	1		UR FOR PGD

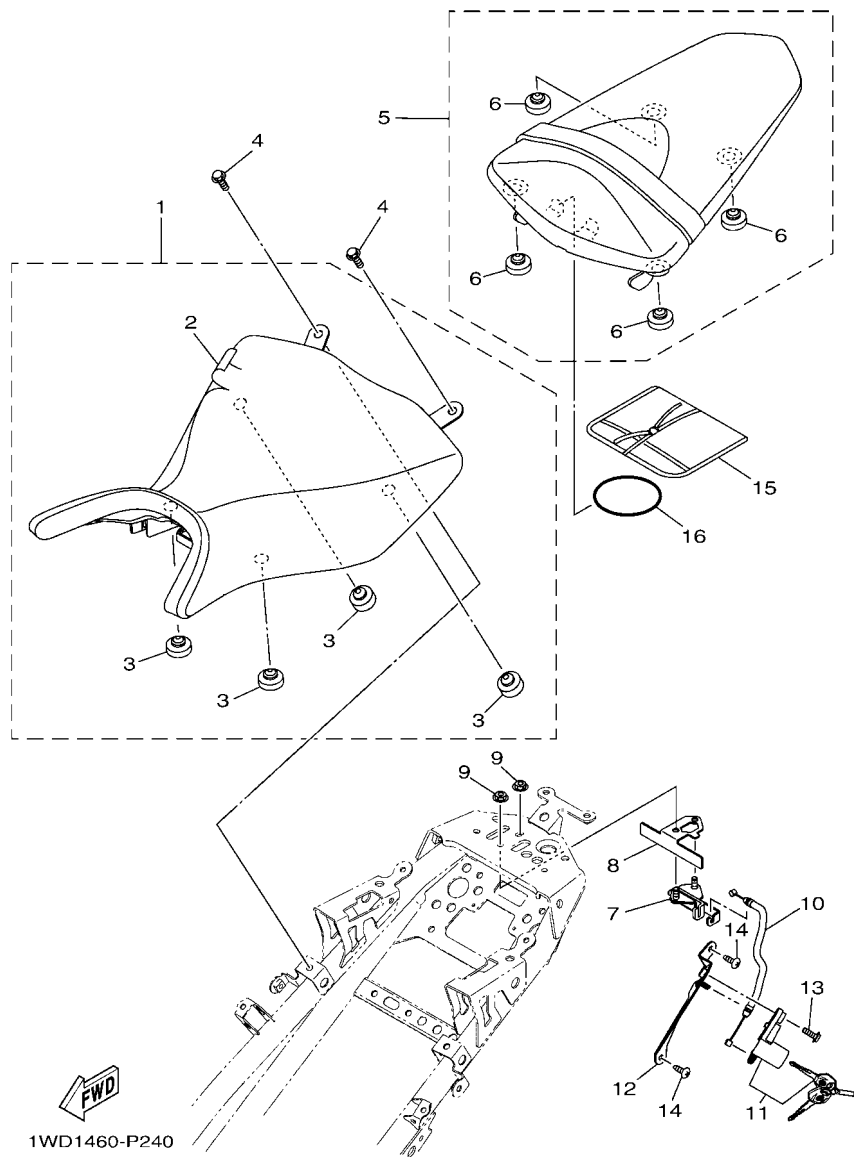
FIG. 24 FUEL TANK 2



BFB1440-Y240

REF. NO.	PART NO.	DESCRIPTION	BFB1				REMARKS
73	95022-06025	BOLT, FLANGE	2				

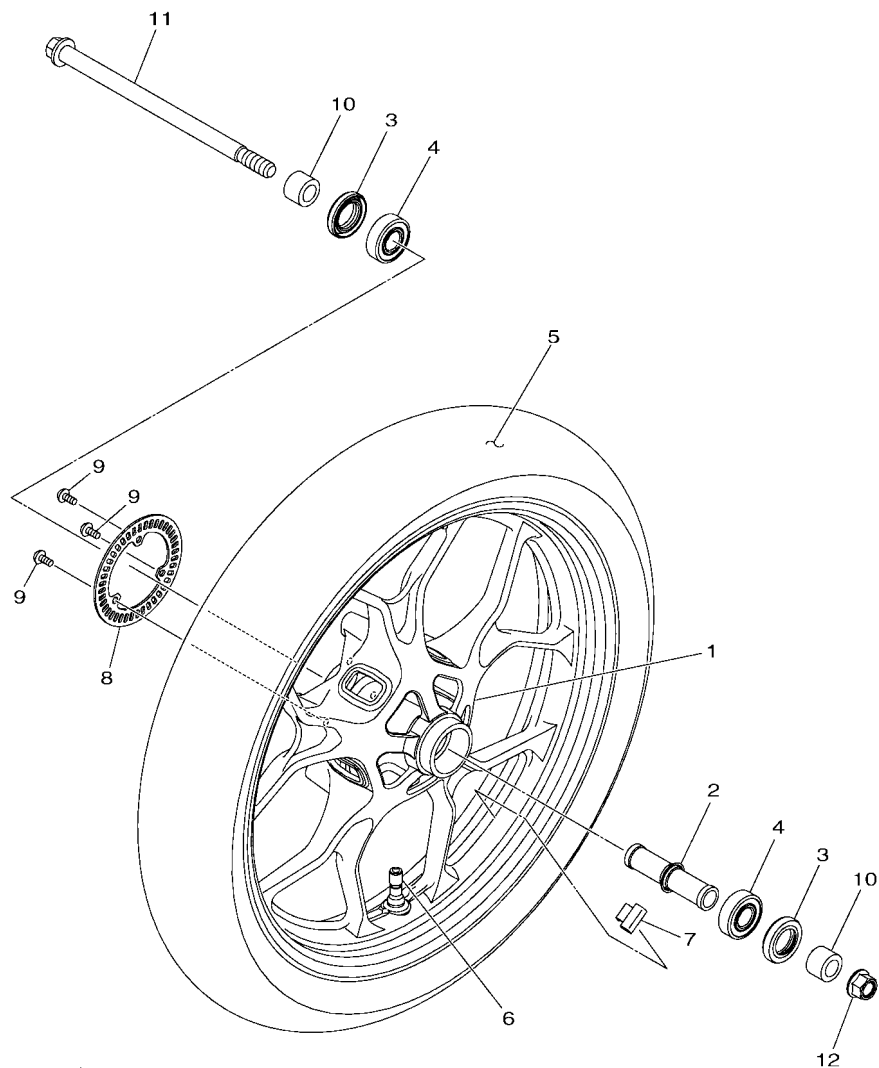
FIG. 25 SEAT



1WD1460-P240

REF. NO.	PART NO.	DESCRIPTION	BFB1				REMARKS
1	1WD-F4710-02	SINGLE SEAT ASSY	1				
2	1WD-F4711-01	.COVER, SINGLE SEAT	1				
3	5BP-F4741-00	.PAD, SEAT	4				
4	95022-06012	BOLT, FLANGE	2				
5	1WD-F4750-01	TANDEM SEAT ASSY	1				
6	3C1-F4741-00	.PAD, SEAT	4				
7	1WD-F4780-00	SEAT LOCK ASSY	1				
8	1WD-F4792-00	PLATE	1				
9	95707-06500	NUT, FLANGE	2				
10	1WD-F478E-00	CABLE, SEAT LOCK	1				
11	1WD-WF479-00	ROTOR SUB ASSY WITH KEY	1				
12	1WD-F117K-00	STAY, LOCK	1				
13	90159-06054	SCREW, WITH WASHER	1				
14	97702-50016	SCREW, TAPPING	2				
15	B9T-F8100-00	TOOL KIT	1				
16	5TL-H2131-00	BAND, BATTERY	1				

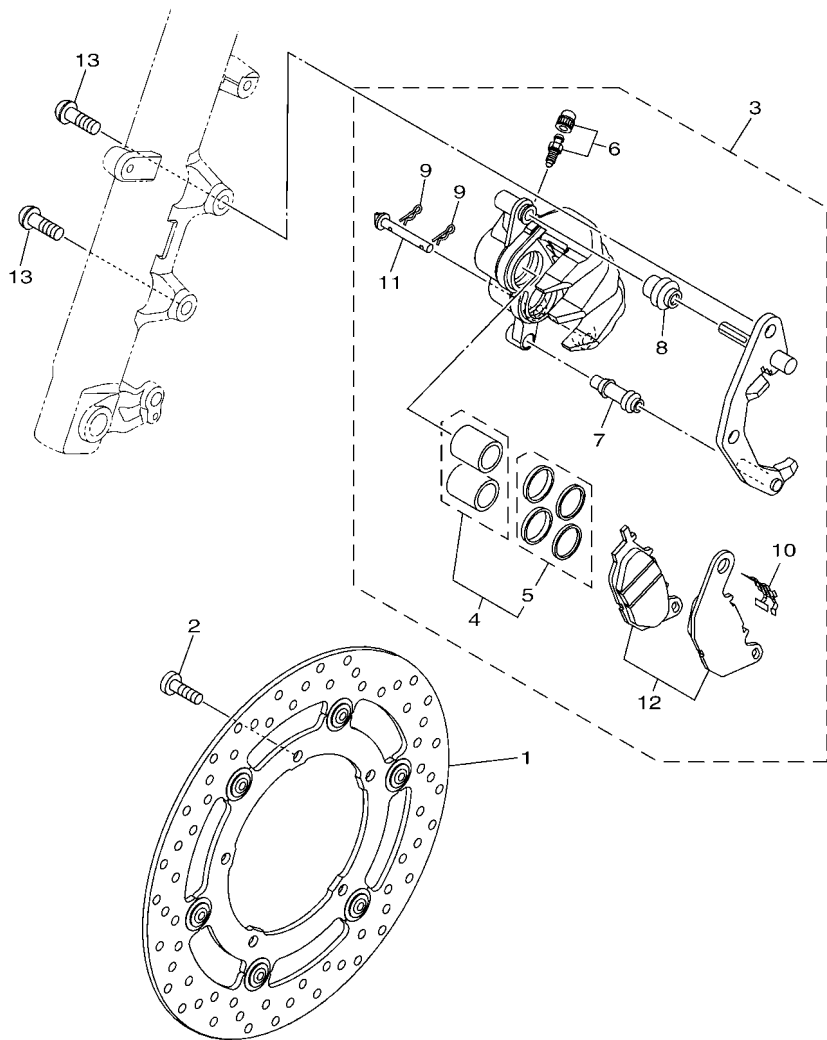
FIG. 26 FRONT WHEEL



B4W2010-V260

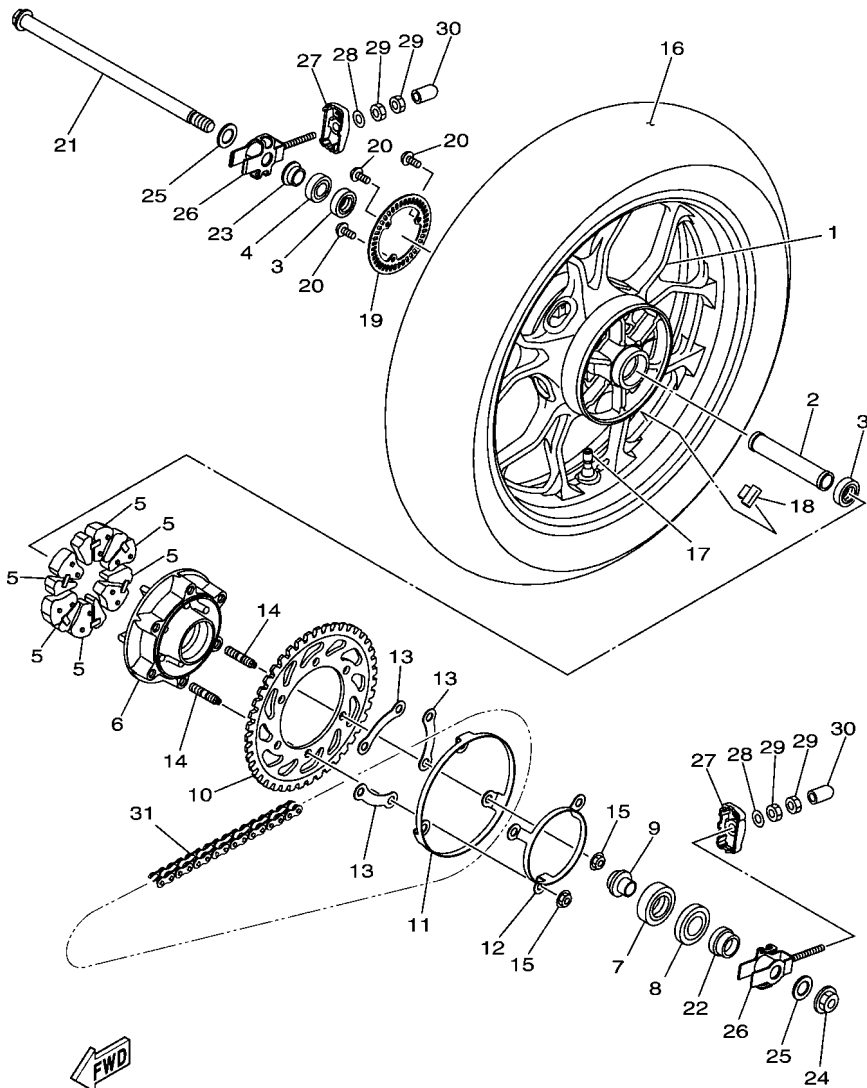
REF. NO.	PART NO.	DESCRIPTION	BFB1		REMARKS
1	BS7-F5168-10-P0	CAST WHEEL, FRONT	1		UR FOR DPBMC
	BS7-F5168-10-P1	CAST WHEEL, FRONT	1		UR FOR PGD
2	1WD-F510C-01	COLLAR ASSY.	1		
3	93106-26815	OIL SEAL	2		
4	93306-302X4	BEARING	2		
5	94111-17801	TIRE (110/70-17M/C 54S RX-01F)	1		INOUE
6	93900-00828	VALVE, RIM	1		
7	5MT-25398-00	BALANCER, WHEEL (10G)	1		UN
	5MT-25398-10	BALANCER, WHEEL (20G)	1		UN
	5MT-25398-20	BALANCER, WHEEL (30G)	1		UN
8	2DP-F517G-00	ROTOR, SENSOR	1		
9	90149-05029	SCREW	3		
10	1PA-F5386-00	COLLAR, SPROCKET AXLE	2		
11	1WD-25181-00	AXLE, WHEEL	1		
12	95602-14200	NUT, SELF-LOCKING	1		

FIG. 27 FRONT BRAKE CALIPER



1WD1460-P260

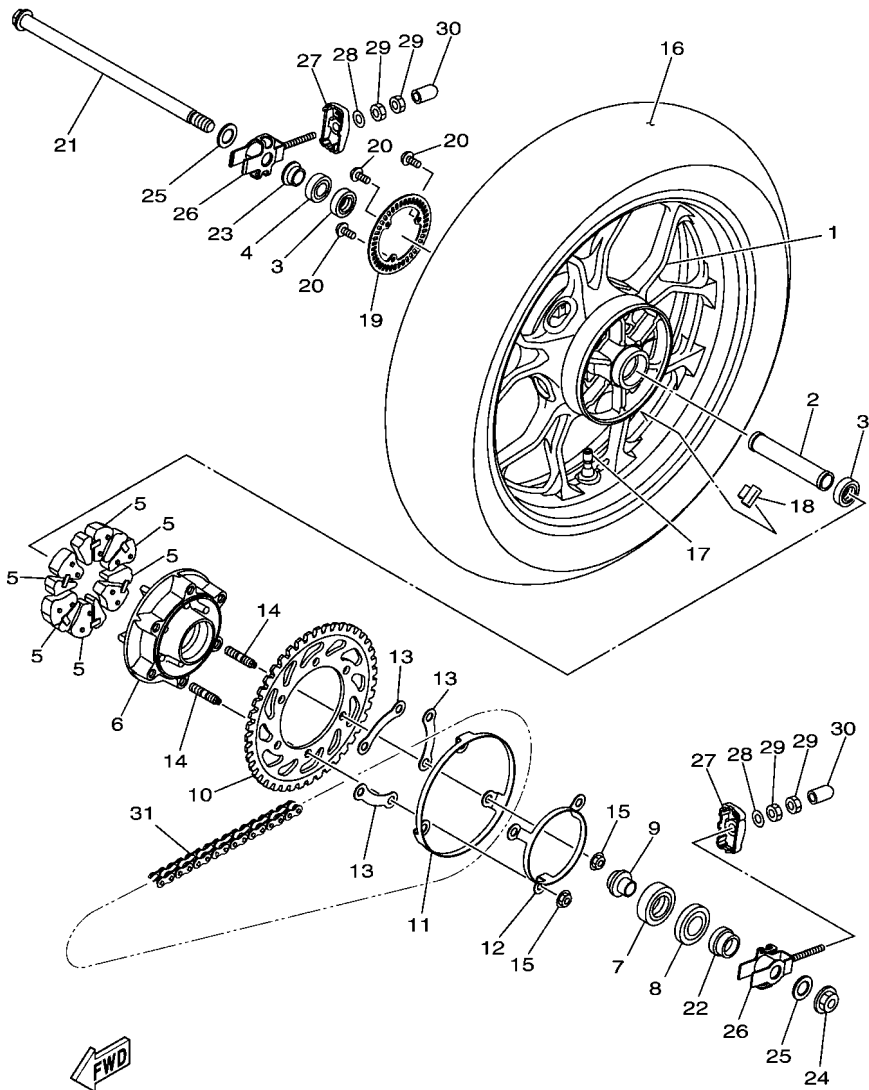
REF. NO.	PART NO.	DESCRIPTION	BFB1				REMARKS
1	1WD-F581U-01	DISK BRAKE ASSY (RIGHT)	1				
2	90111-08087	BOLT, HEXAGON SOCKET BUTTON	5				
3	1WD-F580U-01	CALIPER ASSY (RIGHT)	1				
4	1WD-25802-00	.PISTON ASSY, CALIPER	1				
5	1WD-25803-00	..CALIPER SEAL KIT	1				
6	4C9-W0048-00	..BLEED SCREW KIT	1				
7	5YP-F5937-00	..BOOT 2	1				
8	5YP-F5917-00	..BOOT, CALIPER	1				
9	5YP-F5925-01	..CLIP	2				
10	1WD-F5919-00	..SUPPORT, PAD	1				
11	5YP-F5924-00	..PIN, PAD	1				
12	1WD-25805-00	..BRAKE PAD KIT	1				
13	90149-10044	SCREW	2				



2WD2460-P271

FIG. 28 REAR WHEEL

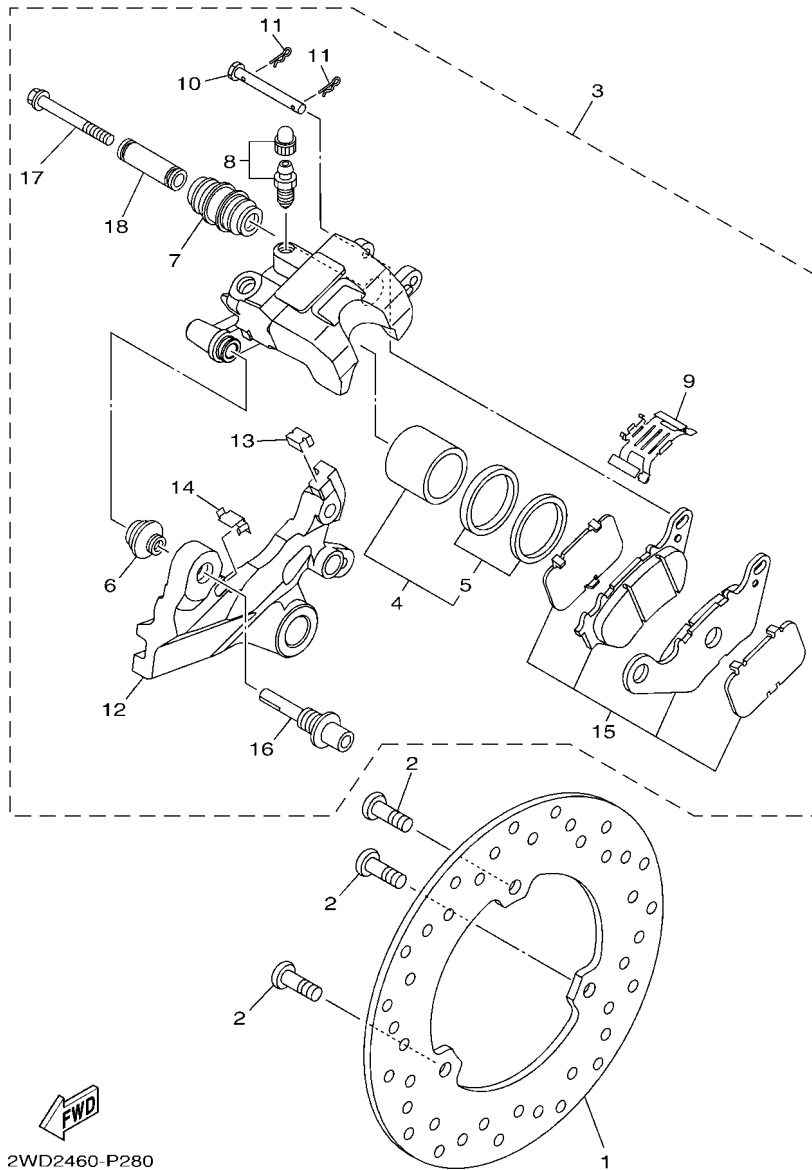
REF. NO.	PART NO.	DESCRIPTION	BFB1		REMARKS
1	BS7-F5338-10-P0	CAST WHEEL, REAR	1		UR FOR DPBMC
	BS7-F5338-10-P1	CAST WHEEL, REAR	1		UR FOR PGD
2	90387-17810	COLLAR	1		
3	93306-20314	BEARING	2		
4	93106-23002	OIL SEAL	1		
5	1WD-F5364-00	DAMPER	6		
6	1WD-F5366-01-P1	CLUTCH, HUB	1		UR FOR DPBMC
	1WD-F5366-01-P4	CLUTCH, HUB	1		UR FOR PGD
7	93306-30450	BEARING	1		
8	93106-38046	OIL SEAL	1		
9	1WD-F5377-00	COLLAR, WHEEL	1		
10	1WD-F5443-00	SPROCKET, DRIVEN (43T)	1		
11	1WD-F537W-00	BRACKET 1	1		
12	1WD-F537X-00	BRKT 2	1		
13	1WD-F539F-00	PLATE 1	3		
14	90116-10065	BOLT, STUD	6		
15	95602-10200	NUT, SELF-LOCKING	6		
16	94114-17802	TIRE (140/70-17M/C 66S RX-01R)	1		INOUE
17	93900-00828	VALVE, RIM	1		
18	5MT-25398-00	BALANCER, WHEEL (10G)	1		UN
	5MT-25398-10	BALANCER, WHEEL (20G)	1		UN
	5MT-25398-20	BALANCER, WHEEL (30G)	1		UN
19	2DP-F517G-00	ROTOR, SENSOR	1		
20	90149-05029	SCREW	3		
21	1WD-25381-00	AXLE, WHEEL	1		
22	1WD-F5386-00	COLLAR, SPROCKET AXLE	1		
23	1WD-F5383-00	COLLAR, WHEEL	1		



2WD2460-P271

FIG. 28 REAR WHEEL

REF. NO.	PART NO.	DESCRIPTION	BFB1				REMARKS
24	95602-16200	NUT, SELF-LOCKING	1				
25	90201-17809	WASHER, PLATE	2				
26	1WD-F5388-00	PULLER, CHAIN 1	2				
27	1WD-F2174-00	END 1	2				
28	92902-08600	WASHER, PLATE	2				
29	95302-08600	NUT, HEXAGON	4				
30	40D-E443G-00	PIPE, DRAIN 2	2				
31	94568-H3112	CHAIN (DID520VF 112LE)	1				

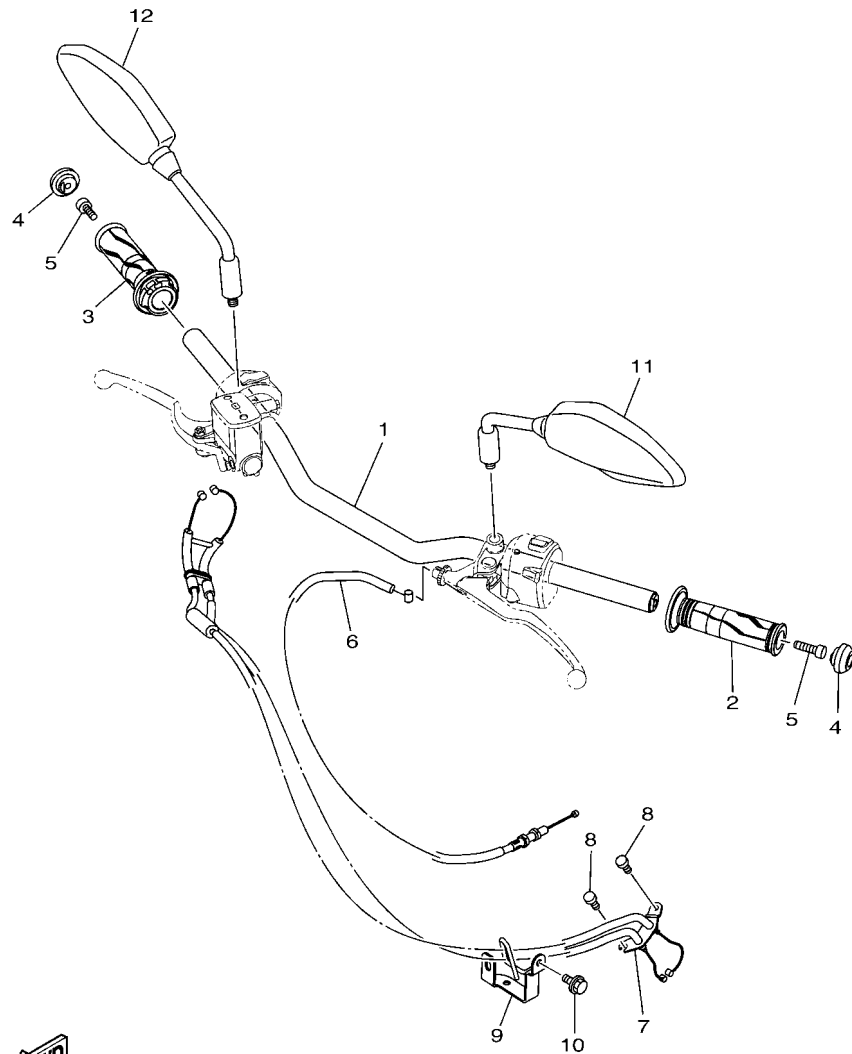


2WD2460-P280

FIG. 29 REAR BRAKE CALIPER

REF. NO.	PART NO.	DESCRIPTION	BFB1				REMARKS
1	1WD-F582W-00	DISK, REAR BRAKE 2	1				
2	90111-08087	BOLT, HEXAGON SOCKET BUTTON	3				
3	2WD-F580W-00	CALIPER ASSY, REAR 2	1				
4	1WD-25802-50	.PISTON ASSY, CALIPER	1				
5	1WD-25803-50	..CALIPER SEAL KIT	1				
6	5YP-F5917-00	.BOOT, CALIPER	1				
7	34X-25937-00	.BOOT 2	1				
8	5YP-W0048-50	.BLEED SCREW KIT	1				
9	1WD-F5919-50	.SUPPORT, PAD	1				
10	1WD-F5924-50	.PIN, PAD	1				
11	5YP-F5925-01	.CLIP	2				
12	2WD-F5921-50	.BRACKET, SUPPORT	1				
13	1WD-F5939-51	.CLIP, PAD	1				
14	1WD-F5939-61	.CLIP, PAD	1				
15	1WD-25806-00	.BRAKE PAD KIT 2	1				
16	1WD-F5914-50	.PIN, SLIDE	1				
17	5KN-25926-01	.BOLT	1				
18	5TL-F5838-00	.SLEEVE, CALIPER	1				

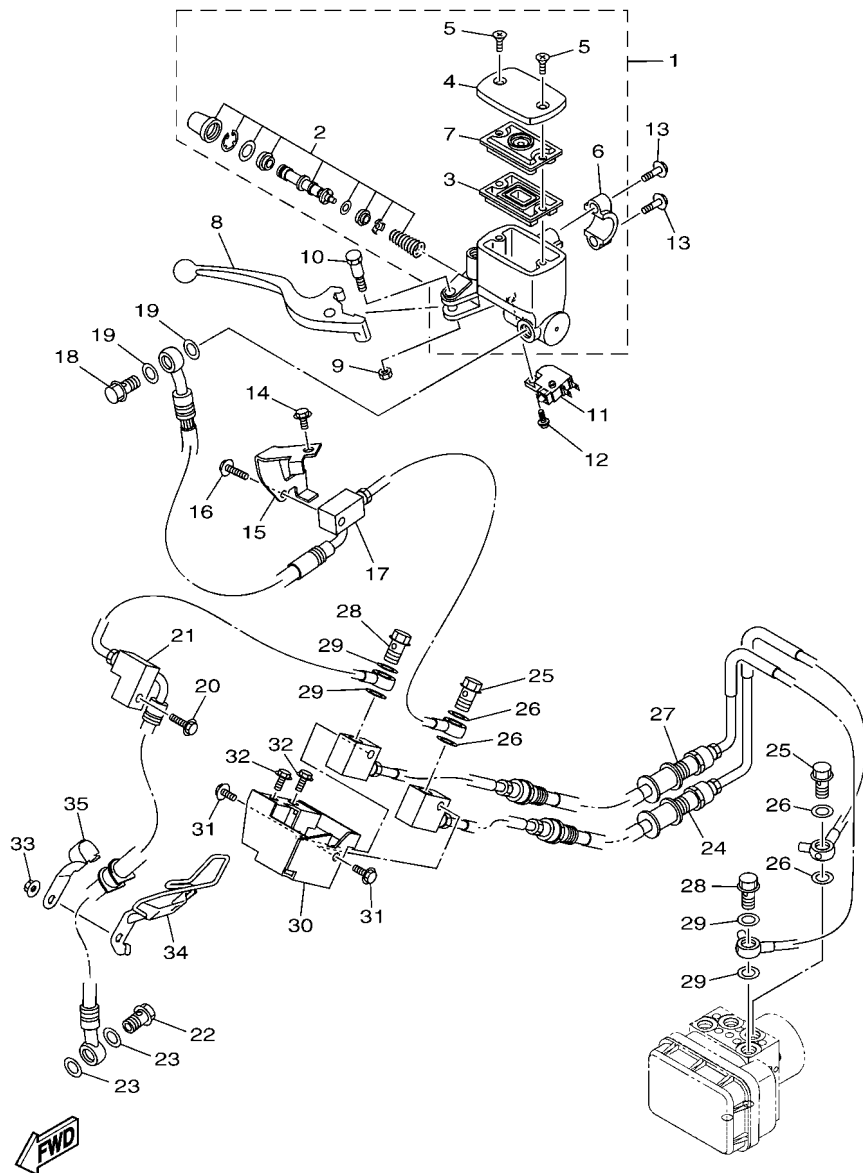
FIG. 30 STEERING HANDLE & CABLE



B9T1460-V300

REF. NO.	PART NO.	DESCRIPTION	BFB1				REMARKS
1	B9T-F6111-00	HANDLEBAR	1				
2	2DP-F6241-00	GRIP	1				
3	2DP-F6240-00	GRIP ASSY	1				
4	1WD-F6246-00	END, GRIP	2				
5	91317-06020	BOLT, HEXAGON SOCKET HEAD	2				
6	B9T-F6335-00	WIRE, CLUTCH	1				
7	BGJ-F6301-00	THROTTLE CABLE ASSY	1				
8	91312-05010	BOLT, HEXAGON SOCKET HEAD	2				
9	B9T-F6315-00	GUIDE, WIRE	1				
10	95802-06010	BOLT, FLANGE	1				
11	BGJ-F6280-00	REAR VIEW MIRROR ASSY (LEFT)	1				
12	BGJ-F6290-00	REAR VIEW MIRROR ASSY (RIGHT)	1				

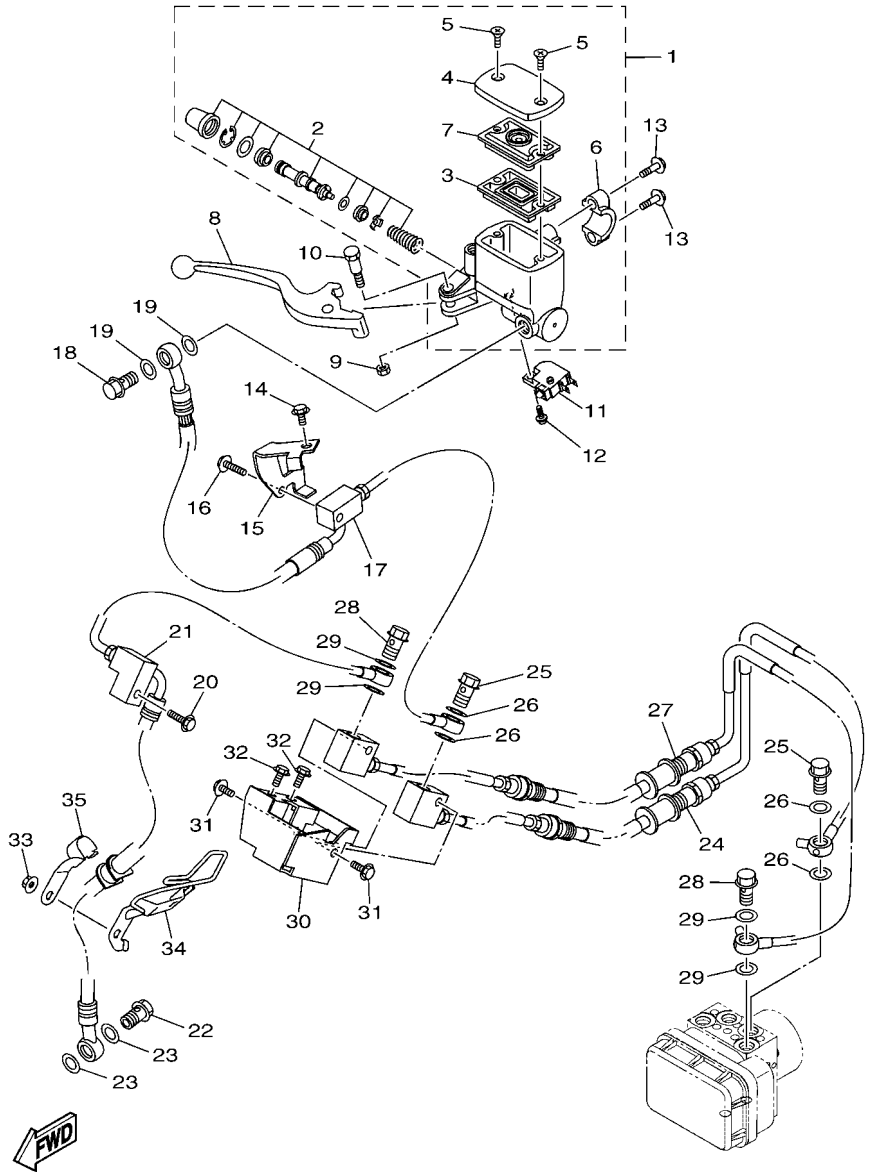
FIG. 31 FRONT MASTER CYLINDER



B6W1431-V310

REF. NO.	PART NO.	DESCRIPTION	BFB1				REMARKS
1	1WD-F5870-00	MASTER CYLINDER SUB ASSY	1				
2	1WD-F5807-00	.CYLINDER KIT, MASTER	1				
3	5RB-25854-00	.DIAPHRAGM, RESERVOIR	1				
4	1WD-F5852-00	.CAP, RESERVOIR	1				
5	36Y-2589H-00	.SCREW	2				
6	3RW-F5867-00	.BRACKET, MASTER CYLINDER	1				
7	3C1-F5855-00	.BUSH,DIAPHRAGM	1				
8	1WD-H3922-00	LEVER 2	1				
9	95602-06100	NUT, SELF-LOCKING	1				
10	90109-06577	BOLT	1				
11	2DP-H3980-01	FRONT STOP SWITCH ASSY	1				
12	97602-04212	SCREW, PAN HEAD WITH WASHER	1				
13	95027-06025	BOLT, FLANGE	2				
14	95D02-06012	BOLT, FLANGE DEEP RECESS	1				
15	2WD-F588F-00	HOLDER, BRAKE HOSE 5	1				
16	95022-06020	BOLT, FLANGE	1				
17	B6W-F5872-00	HOSE, BRAKE 1	1				
18	90401-10812	BOLT, UNION	1				
19	90201-10118	WASHER, PLATE	2				
20	95022-06020	BOLT, FLANGE	1				
21	B6W-F581J-00	HOSE, BRAKE 4	1				
22	90401-10812	BOLT, UNION	1				
23	90201-10118	WASHER, PLATE	2				
24	2WD-F5873-00	HOSE, BRAKE 2	1				
25	90401-10812	BOLT, UNION	2				
26	90201-10118	WASHER, PLATE	4				
27	B5L-F5874-00	HOSE, BRAKE 3	1				

FIG. 31 FRONT MASTER CYLINDER



B6W1431-V310

REF. NO.	PART NO.	DESCRIPTION	BFB1	REMARKS
28	90401-10812	BOLT, UNION	2	
29	90201-10118	WASHER, PLATE	4	
30	2WD-F588G-01	HOLDER, BRAKE HOSE 6	1	
31	95027-06012	BOLT, FLANGE	2	
32	95027-06012	BOLT, FLANGE	2	
<hr/>				
33	90176-06065	NUT, CAP	1	
34	B6W-F5887-00	HOLDER, BRAKE HOSE 3	1	
35	B5L-F587A-00	HOLDER, BRAKE HOSE 4	1	
<hr/>				
<hr/>				
<hr/>				
<hr/>				
<hr/>				
<hr/>				
<hr/>				
<hr/>				
<hr/>				
<hr/>				

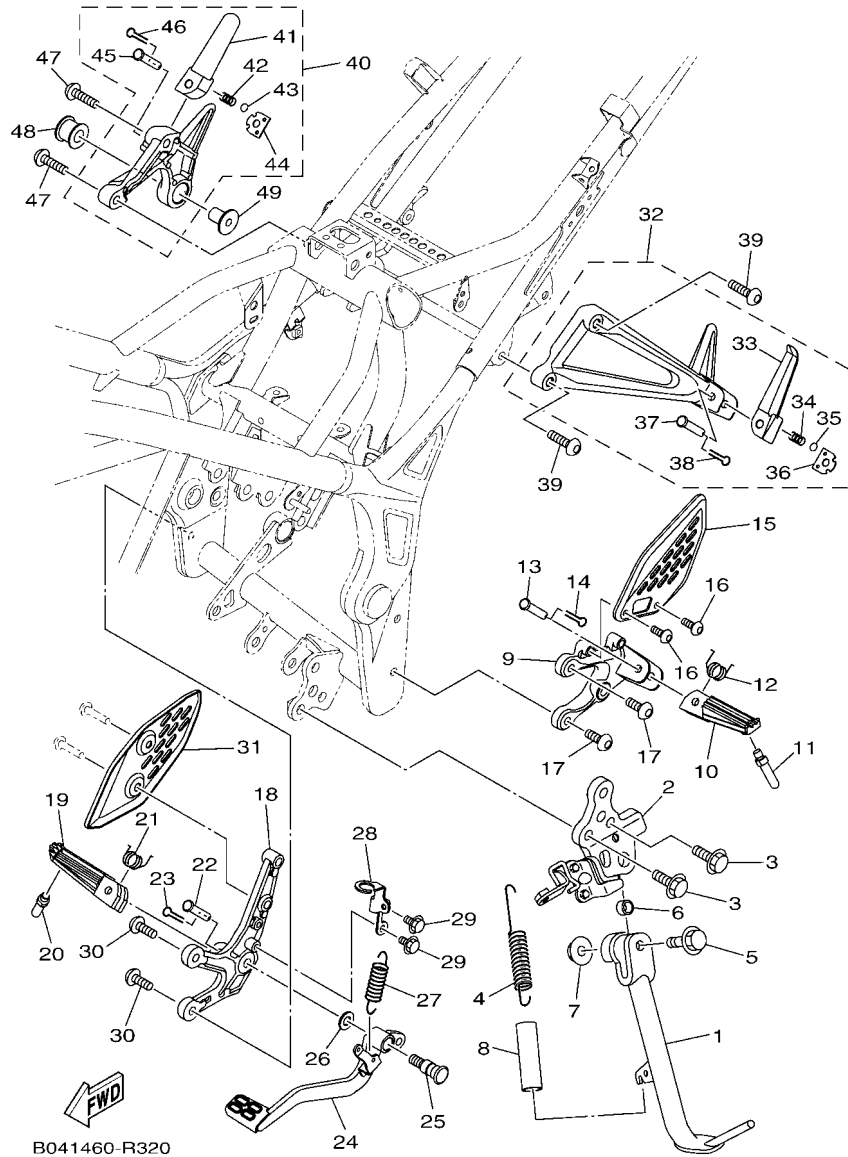


FIG. 32 STAND & FOOTREST

REF. NO.	PART NO.	DESCRIPTION	BFB1				REMARKS
1	1WD-F7311-00	STAND, SIDE	1				
2	B04-F7321-00	BRACKET, SIDE STAND	1				
3	95817-10025	BOLT, FLANGE	2				
4	90506-23812	SPRING, TENSION	1				
5	90105-106A7	BOLT, FLANGE	1				
6	90387-10010	COLLAR	1				
7	95602-10200	NUT, SELF-LOCKING	1				
8	90445-217G3	HOSE (L70)	1				
9	1WD-F7442-01	BRACKET 2	1				
10	1WD-F7451-00	FOOTREST	1				
11	1WD-F7435-00	BOLT	1				
12	90508-183B9	SPRING, TORSION	1				
13	90240-08145	PIN, CLEVIS	1				
14	91401-25015	PIN, COTTER	1				
15	1WD-F7445-00	PLATE 1	1				
16	90111-06013	BOLT, HEXAGON SOCKET BUTTON	2				
17	90109-085G6	BOLT	2				
18	1WD-F7443-00	BRACKET 3	1				
19	1WD-F7461-00	FOOTREST	1				
20	1WD-F7435-00	BOLT	1				
21	90508-183B9	SPRING, TORSION	1				
22	90240-08145	PIN, CLEVIS	1				
23	91401-25015	PIN, COTTER	1				
24	1WD-F7211-00	PEDAL, BRAKE	1				
25	4BP-27261-00	SHAFT	1				
26	90201-10021	WASHER, PLATE	1				
27	90506-26807	SPRING, TENSION	1				

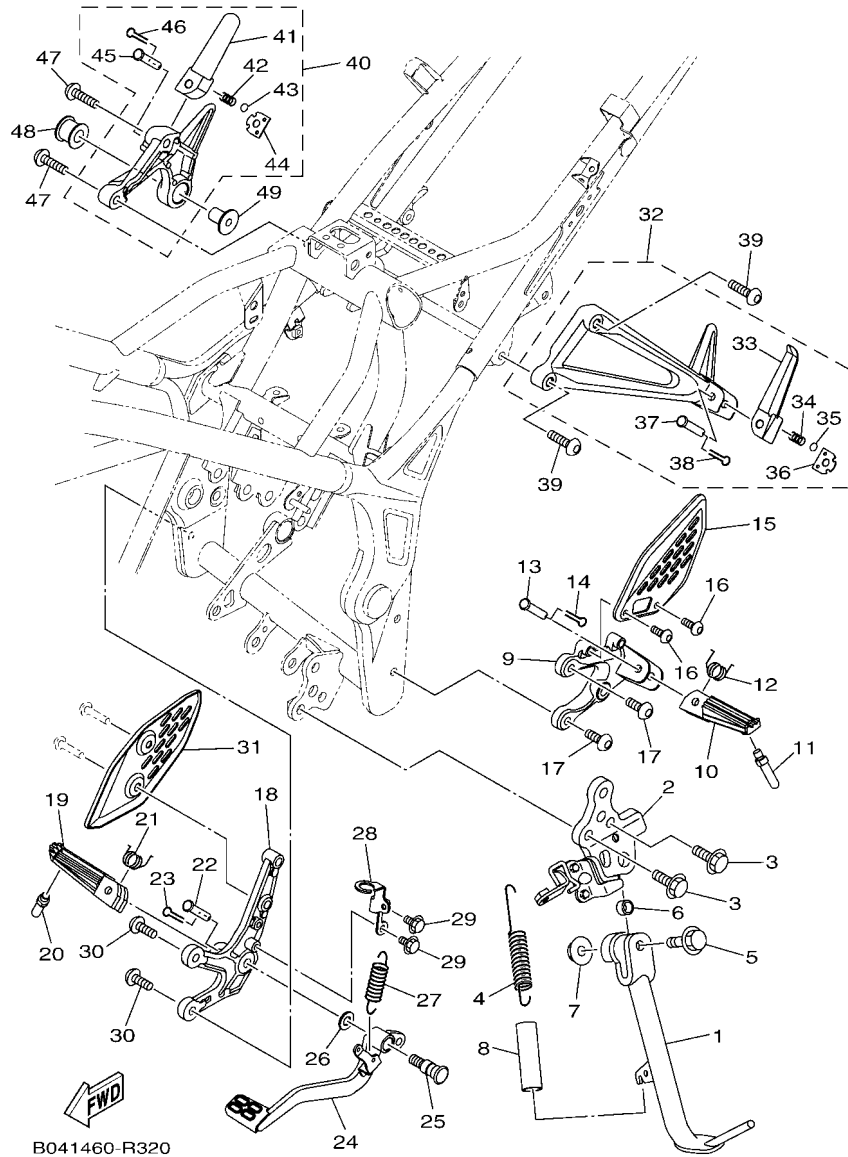
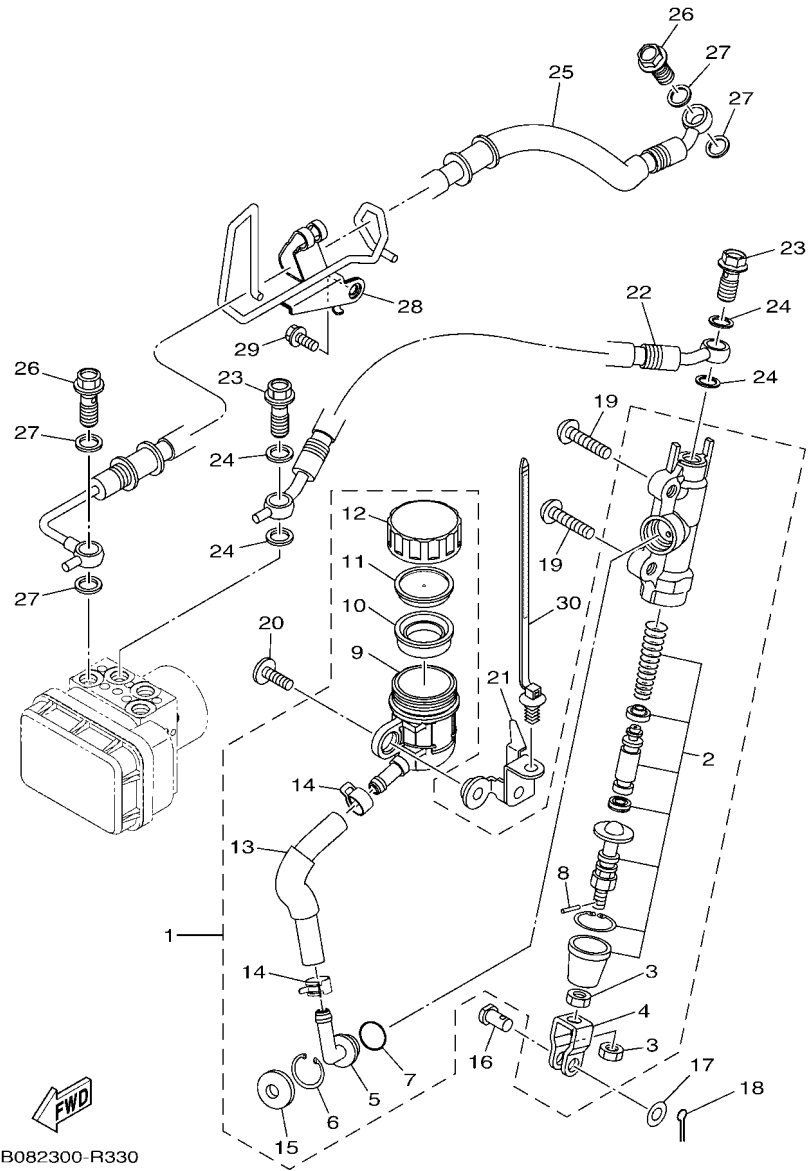


FIG. 32 STAND & FOOTREST

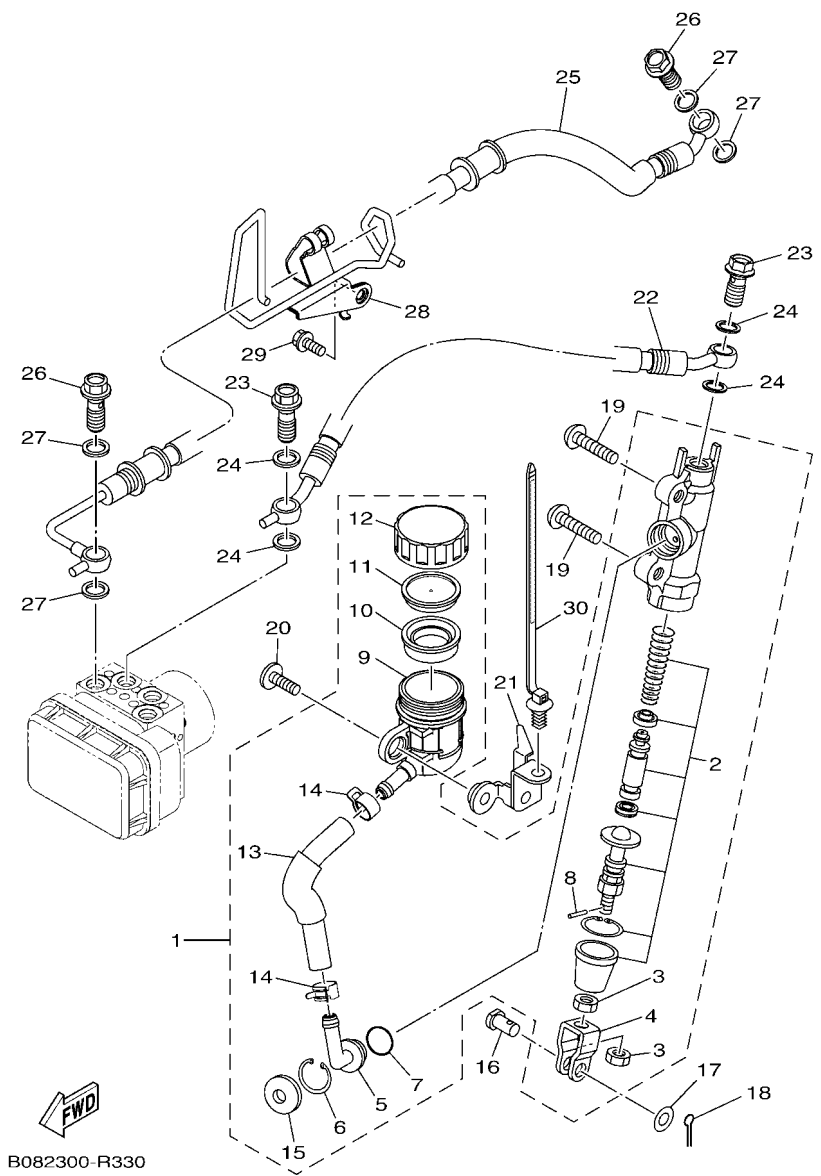
REF. NO.	PART NO.	DESCRIPTION	BFB1				REMARKS
28	1WD-F144G-00	STAY, STOP SWITCH	1				
29	95802-06010	BOLT, FLANGE	2				
30	90109-085G6	BOLT	2				
31	1WD-F7446-00	PLATE 2	1				
32	1WD-F7430-01	REAR FOOTREST ASSY 1	1				
33	1WD-F7431-01	.FOOTREST, REAR 1	1				
34	90501-12743	.SPRING, COMPRESSION	1				
35	93501-04830	.BALL	1				
36	1WD-F7437-00	.WASHER, SPECIAL	1				
37	90240-08145	.PIN, CLEVIS	1				
38	91401-25015	.PIN, COTTER	1				
39	90110-08071	BOLT, HEXAGON SOCKET HEAD	2				
40	1WD-F7440-01	REAR FOOTREST ASSY 2	1				
41	1WD-F7441-01	.FOOTREST, REAR 2	1				
42	90501-12743	.SPRING, COMPRESSION	1				
43	93501-04830	.BALL	1				
44	1WD-F7437-00	.WASHER, SPECIAL	1				
45	90240-08145	.PIN, CLEVIS	1				
46	91401-25015	.PIN, COTTER	1				
47	90110-08071	BOLT, HEXAGON SOCKET HEAD	2				
48	5TP-E4747-00	DAMPER, MUFFLER	1				
49	90387-08813	COLLAR	1				



B082300-R330

FIG. 33 REAR MASTER CYLINDER

REF. NO.	PART NO.	DESCRIPTION	BFB1				REMARKS
1	1WD-F580E-00	REAR MASTER CYLINDER ASSY	1				
2	1WD-F5808-00	.CYLINDER KIT, MASTER	1				
3	4SS-27218-00	.NUT	2				
4	50C-F7222-00	.JOINT	1				
5	50C-F582A-50	.JOINT	1				
6	50C-F5866-00	.CIRCLIP	1				
7	93210-15620	.O-RING	1				
8	3KW-27234-00	.PIN, BRAKE ROD	1				
9	50C-F5894-10	.TANK, RESERVOIR	1				
10	2VN-F5854-00	.DIAPHRAGM, RESERVOIR	1				
11	50C-F5855-00	.BUSH,DIAPHRAGM	1				
12	1WD-F5852-50	.CAP, RESERVOIR	1				
13	1WD-F5895-50	.HOSE, RESERVOIR	1				
14	90467-12085	.CLIP	2				
15	50C-F589A-00	.COVER, DUST	1				
16	90240-08124	PIN, CLEVIS	1				
17	90201-08083	WASHER, PLATE	1				
18	91401-20012	PIN, COTTER	1				
19	92012-08030	BOLT, BUTTON HEAD	2				
20	90111-06121	BOLT, HEXAGON SOCKET BUTTON	1				
21	B04-F582E-00	HOLDER, RESERVE TANK	1				
22	2WD-F581K-00	HOSE, BRAKE 5	1				
23	90401-10812	BOLT, UNION	2				
24	90201-10118	WASHER, PLATE	4				
25	2WD-F582J-00	HOSE, BRAKE 6	1				
26	90401-10812	BOLT, UNION	2				
27	90201-10118	WASHER, PLATE	4				



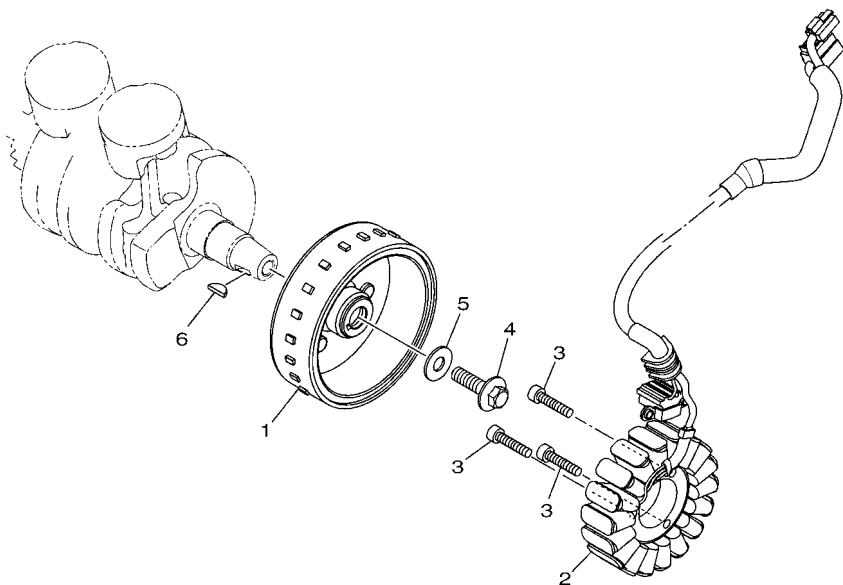
B082300-R330

FIG. 33 REAR MASTER CYLINDER

REF. NO.	PART NO.	DESCRIPTION	BFB1			REMARKS
28	2WD-F5887-00	HOLDER, BRAKE HOSE	1			
29	95D37-06014	BOLT, FLANGE DEEP RECESS	1			
30	90464-30009	CLAMP	1			

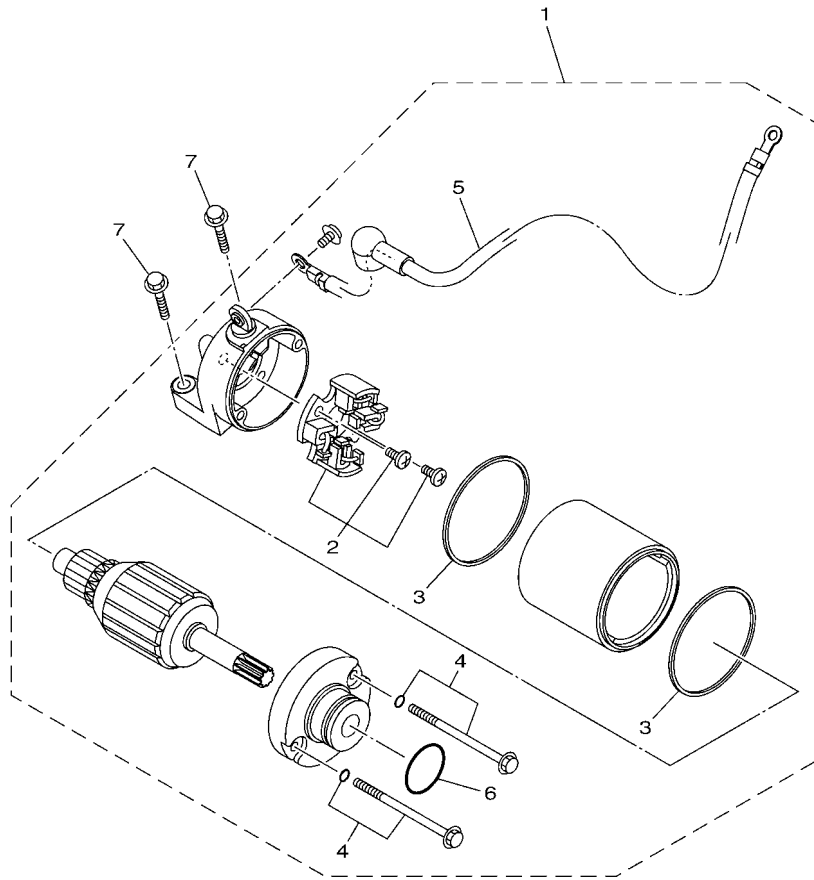
FIG. 34 GENERATOR

REF. NO.	PART NO.	DESCRIPTION	BFB1					REMARKS
1	BR5-H1450-00	ROTOR ASSY	1					
2	BS7-H1410-00	STATOR ASSY	1					
3	90110-06177	BOLT, HEXAGON SOCKET HEAD	3					
4	90105-10883	BOLT, FLANGE	1					
5	90201-10848	WASHER, PLATE	1					
6	90280-05013	KEY, WOODRUFF	1					



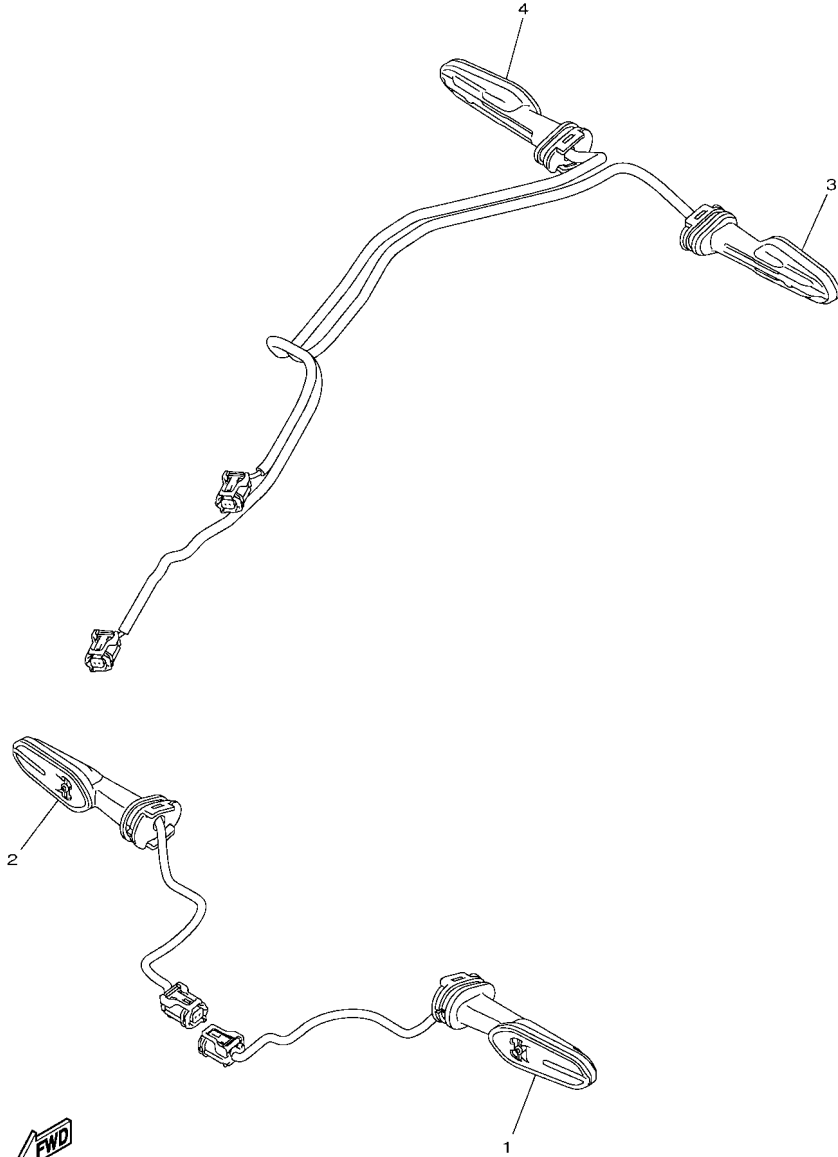
FWD
B6P2516-U350

FIG. 35 STARTING MOTOR



REF. NO.	PART NO.	DESCRIPTION	BFB1				REMARKS
1	1WD-H1800-00	STARTING MOTOR ASSY	1				
2	1WD-H1801-00	.BRUSH SET	1				
3	1WD-H1861-00	.GASKET	2				
4	1WD-H1828-00	.BOLT 2	2				
5	1WD-H183G-00	.CORD COMP.	1				
6	4FP-H182L-00	.O-RING 1	1				
7	95022-06025	BOLT, FLANGE	2				

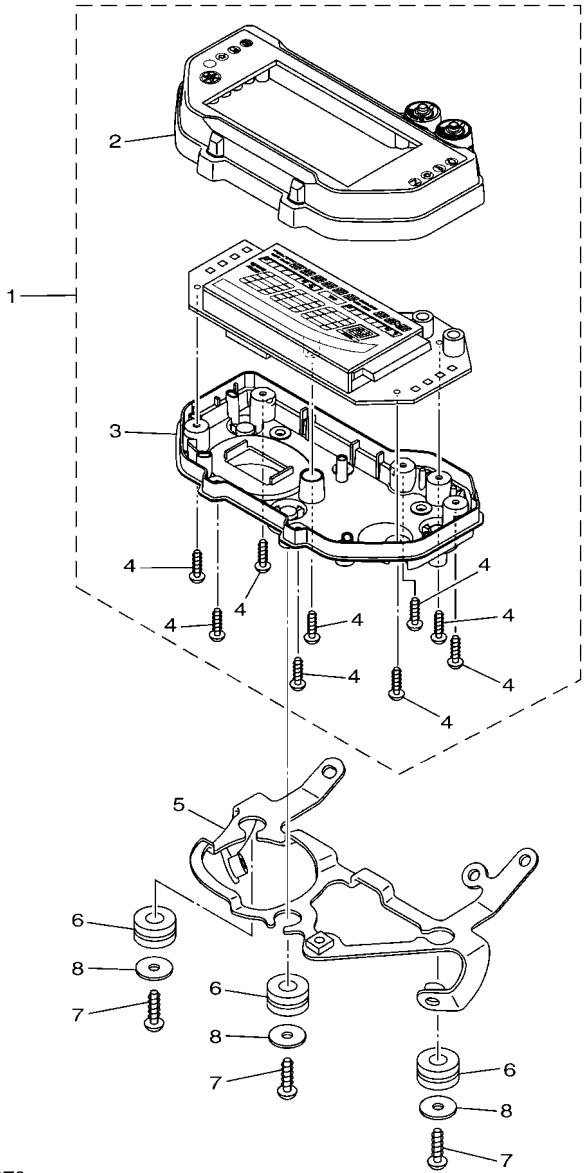

1WD1460-P360



BGJ1516-W360

FIG. 36 FLASHER LIGHT

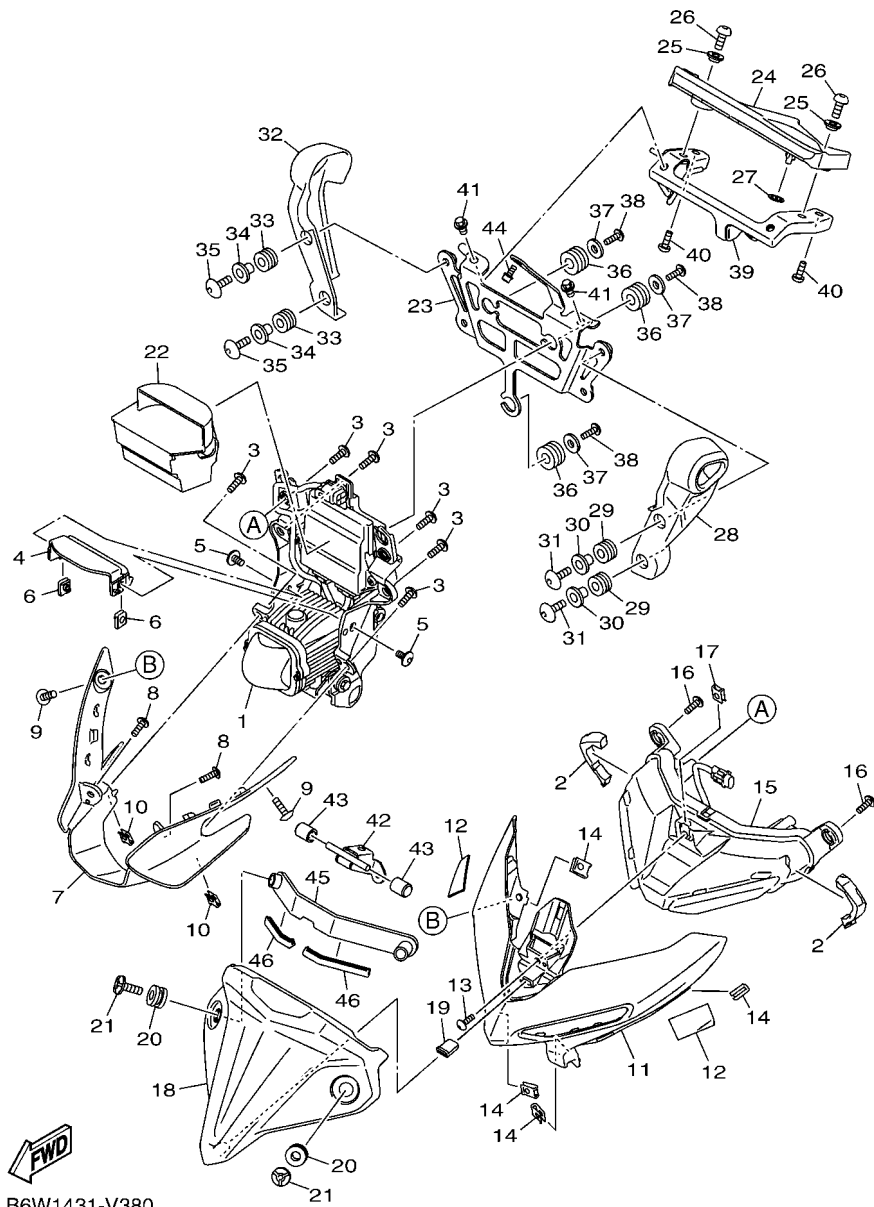
REF. NO.	PART NO.	DESCRIPTION	BFB1				REMARKS
1	BGJ-H330A-00	FLASHER LIGHT ASSY A	1				
2	BGJ-H330B-00	FLASHER LIGHT ASSY B	1				
3	B1X-H330A-10	FLASHER LIGHT ASSY A	1				
4	B1X-H330B-00	FLASHER LIGHT ASSY B	1				



FWD
B9T1460-V370

FIG. 37 METER

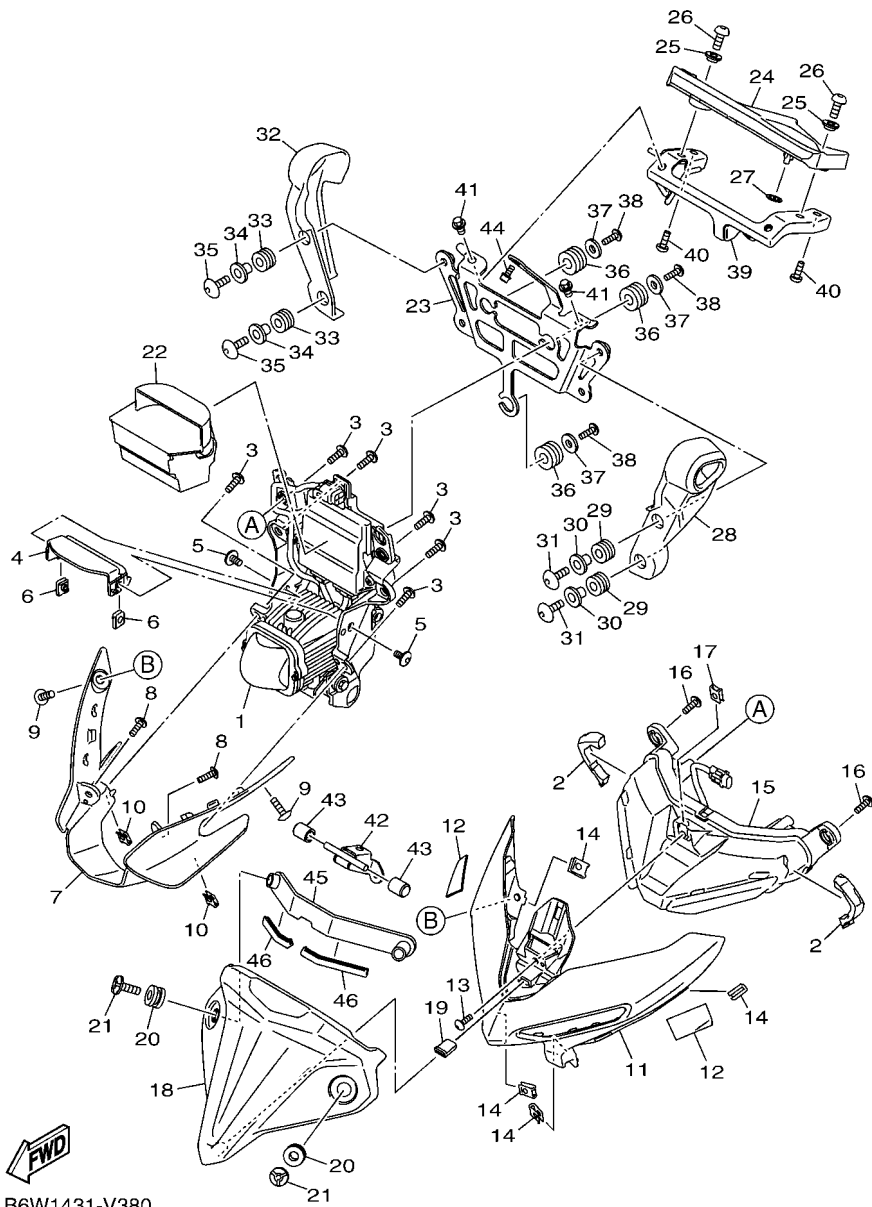
REF. NO.	PART NO.	DESCRIPTION	BFB1				REMARKS
1	BGJ-H3500-01	METER ASSY	1				
2	B5P-H3571-01	.CASE, SPEEDOMETER UPPER	1				
3	BS7-H3572-01	.CASE, SPEEDOMETER LOWER	1				
4	97707-30020	.SCREW, TAPPING	9				
5	B9T-H3519-00	BRACKET, METER	1				
6	90480-14229	GROMMET	3				
7	97702-50016	SCREW, TAPPING	3				
8	90201-05827	WASHER, PLATE	3				



B6W1431-V380

FIG. 38 HEADLIGHT

REF. NO.	PART NO.	DESCRIPTION	BFB1	REMARKS
1	B9T-H4300-00	HEADLIGHT ASSY	1	
2	90520-10834	DAMPER, PLATE	2	
3	97707-50016	SCREW, TRUSS HEAD TAPPING	6	
4	B9T-H411E-00	STAY, HEAD LIGHT INNER	1	
5	90111-05003	BOLT, HEXAGON SOCKET BUTTON	2	
6	90183-05076	NUT, SPRING	2	
7	B9T-H4144-00	COVER, HEADLIGHT	1	
8	97707-50016	SCREW, TRUSS HEAD TAPPING	2	
9	90160-05009	SCREW, ROUND TAPPING	2	
10	90183-05807	NUT, SPRING	2	
11	B9T-F831V-00-P4	STAY, HEAD LIGHT 1	1	UR FOR DPBMC
	B9T-F831V-00-3E	STAY, HEAD LIGHT 1	1	UR FOR PGD
12	90520-20819	DAMPER, PLATE	2	
13	90160-05009	SCREW, ROUND TAPPING	1	
14	90183-05807	NUT, SPRING	4	
15	B9T-H4410-00	POSITION LIGHT ASSY 1	1	
16	97707-50016	SCREW, TRUSS HEAD TAPPING	2	
17	90183-05807	NUT, SPRING	1	
18	B9T-H4369-00-P4	COVER 1	1	MDNM8
19	1PA-F411J-00	DAMPER, SIDE COVER	1	
20	90480-12808	GROMMET	2	
21	90111-06870	BOLT, HEXAGON SOCKET BUTTON	2	
22	B9T-H4196-00	COVER, SOCKET	1	
23	B9T-F8357-00	STAY 2	1	
24	B9T-F8345-00	MOLE 1	1	
25	90387-06242	COLLAR	2	
26	90111-06029	BOLT, HEXAGON SOCKET BUTTON	2	

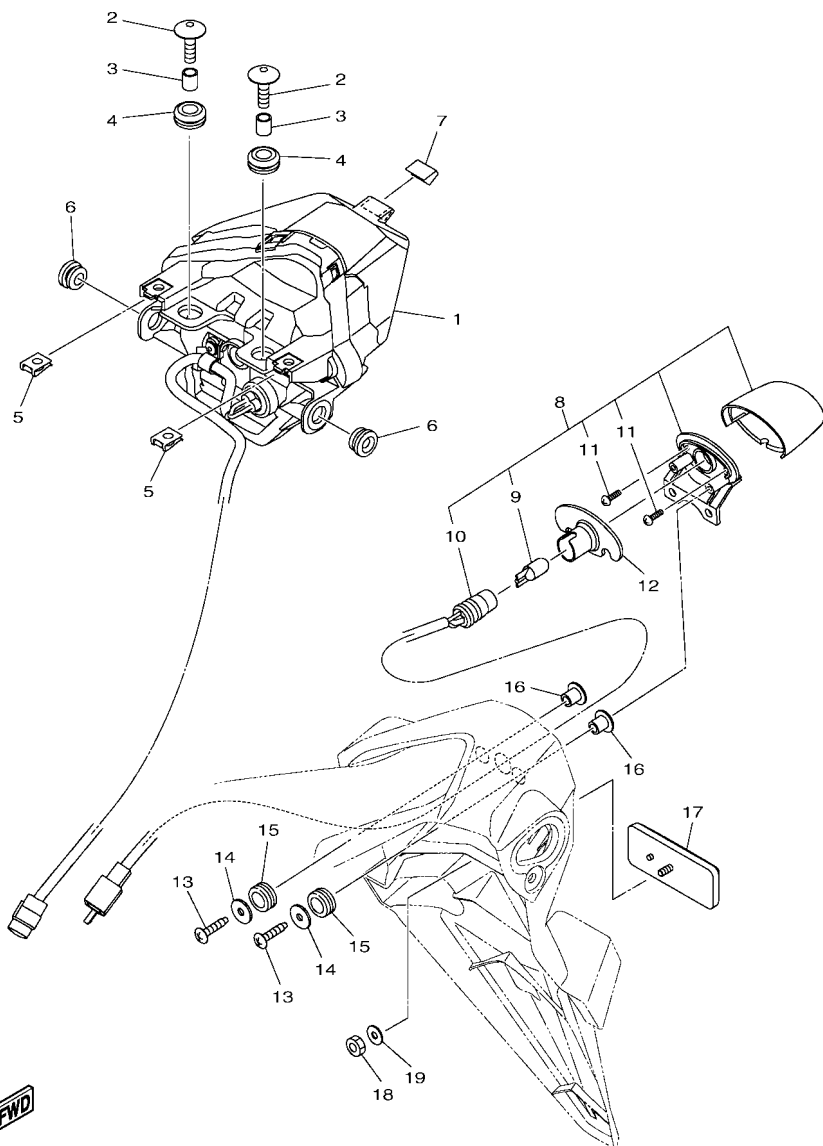


B6W1431-V380

FIG. 38 HEADLIGHT

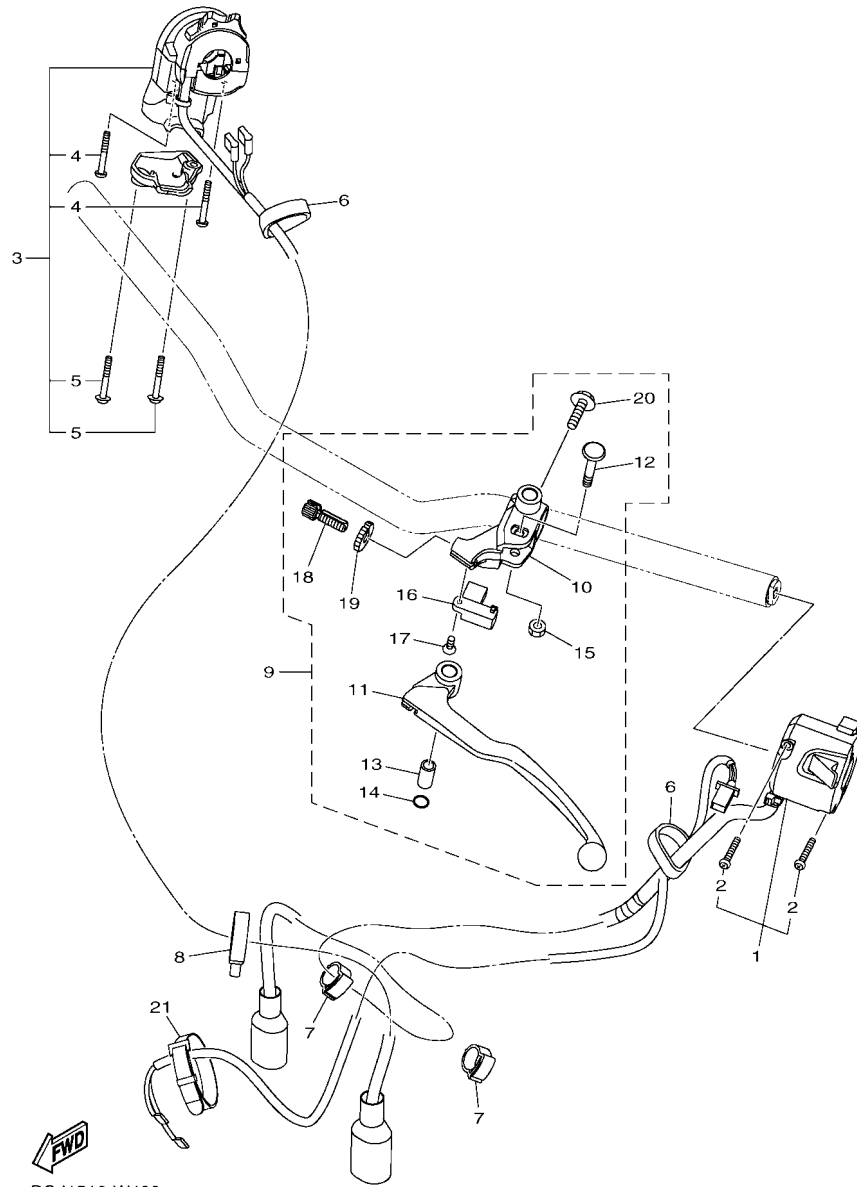
REF. NO.	PART NO.	DESCRIPTION	BFB1				REMARKS
27	90183-05M02	NUT, SPRING	1				
28	B9T-F83D3-00	COVER, FLASHER 1	1				
29	90480-12808	GROMMET	2				
30	90387-06899	COLLAR	2				
31	90111-06086	BOLT, HEXAGON SOCKET BUTTON	2				
32	B9T-F83D4-00	COVER, FLASHER 2	1				
33	90480-12808	GROMMET	2				
34	90387-06899	COLLAR	2				
35	90111-06086	BOLT, HEXAGON SOCKET BUTTON	2				
36	90480-14004	GROMMET	3				
37	90201-05036	WASHER, PLATE	3				
38	97707-50016	SCREW, TRUSS HEAD TAPPING	3				
39	B9T-F8356-00	STAY 1	1				
40	92012-06014	BOLT, BUTTON HEAD	2				
41	95022-06012	BOLT, FLANGE	2				
42	B08-F334G-00	BRACKET 1	1				
43	2SN-H4527-00	DAMPER	2				
44	90110-06865	BOLT, HEXAGON SOCKET HEAD	1				
45	B9T-H454L-00	BRACKET	1				
46	B3M-F4188-00	MOLD, FUEL TANK	2				

FIG. 39 TAILLIGHT



BFB1440-Y390

REF. NO.	PART NO.	DESCRIPTION	BFB1				REMARKS
1	1WD-H4710-02	TAILLIGHT UNIT ASSY	1				
2	90111-06117	BOLT, HEXAGON SOCKET BUTTON	2				
3	90387-067V1	COLLAR	2				
4	90480-13001	GROMMET	2				
5	90183-05807	NUT, SPRING	2				
6	90480-10003	GROMMET	2				
7	1WD-F1732-00	SEAL 1	1				
8	BS7-H4740-10	LICENSE LIGHT ASSY	1				
9	1WD-H4744-00	.BULB (12V-5W)	1				
10	BS7-H4547-00	.CORD, LICENSE LIGHT	1				
11	1WD-H4726-00	.SCREW	2				
12	1WD-H4753-00	DAMPER	1				
13	97707-40020	SCREW, TAPPING	2				
14	90201-04804	WASHER, PLATE	2				
15	90480-11009	GROMMET	2				
16	90387-05042	COLLAR	2				
17	3C1-H5130-00	REAR REFLECTOR ASSY	1				
18	95602-05100	NUT, U	1				
19	90201-05043	WASHER, PLATE	1				



BGJ1516-W400

FIG. 40 HANDLE SWITCH & LEVER

REF. NO.	PART NO.	DESCRIPTION	BFB1				REMARKS
1	B9T-H3972-00	SWITCH, HANDLE 4	1				
2	98507-04025	.SCREW, PAN HEAD	2				
3	BGJ-H3975-00	SWITCH, HANDLE 2	1				
4	98507-04030	.SCREW, PAN HEAD	2				
5	97607-05220	.SCREW, WITH WASHER	2				
6	3RS-H3936-00	BAND, SWITCH CORD	2				
7	90464-16003	CLAMP	3				
8	90464-30001	CLAMP	1				
9	1WD-H2910-00	LEVER HOLDER ASSY (LEFT)	1				
10	1WD-H2911-00	.HOLDER, LEVER 1	1				
11	1WD-H3912-00	.LEVER 1	1				
12	31A-83945-00	.BOLT, LEVER	1				
13	31A-83913-00	.COLLAR, LEVER 1	1				
14	93210-108H5	.O-RING	1				
15	95602-06100	.NUT, SELF-LOCKING	1				
16	5BP-H2917-00	.SWITCH	1				
17	90151-03005	.SCREW, COUNTERSUNK	1				
18	90123-08083	.BOLT	1				
19	90179-08316	.NUT	1				
20	97507-06525	.BOLT, WITH WASHER	1				
21	3AY-H3936-00	BAND, SWITCH CORD	2				

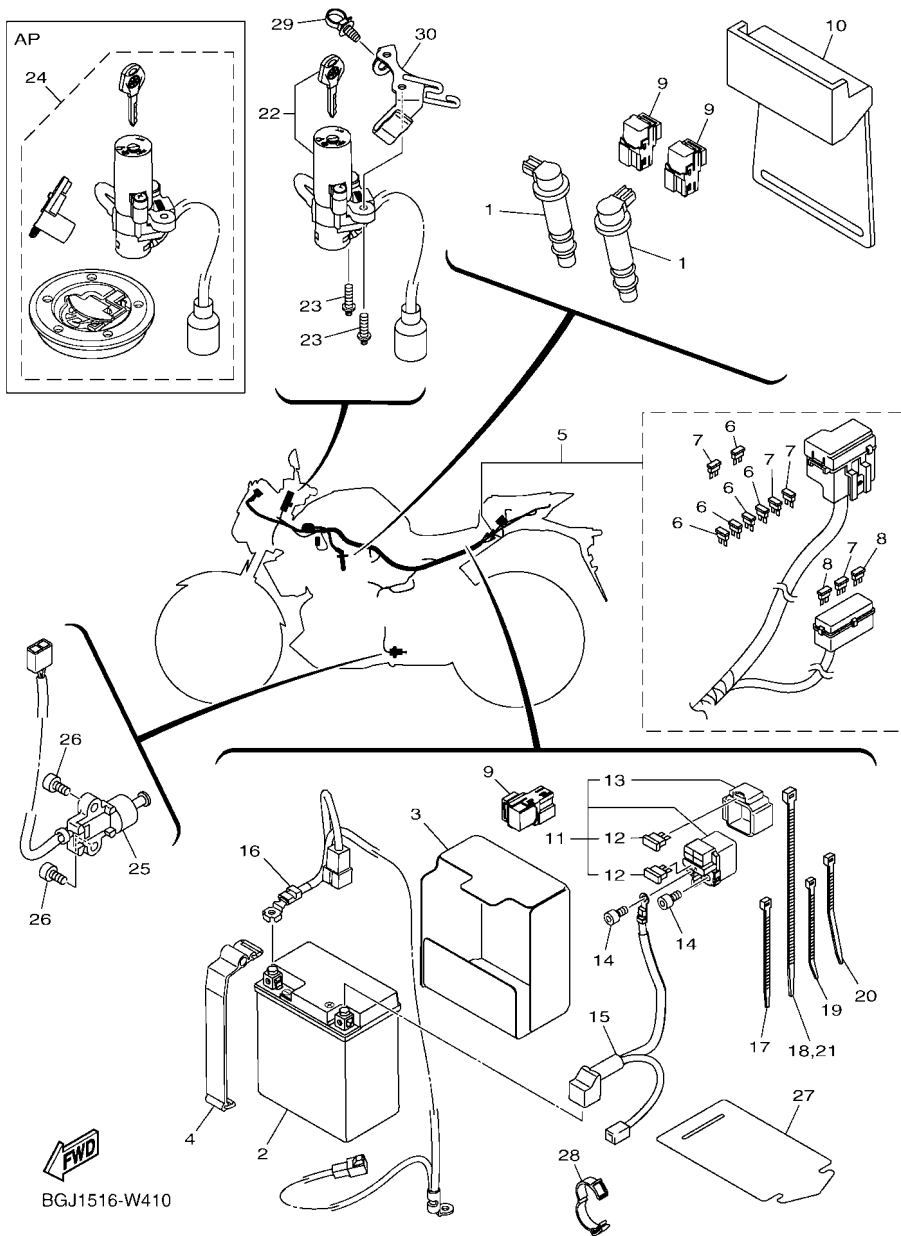
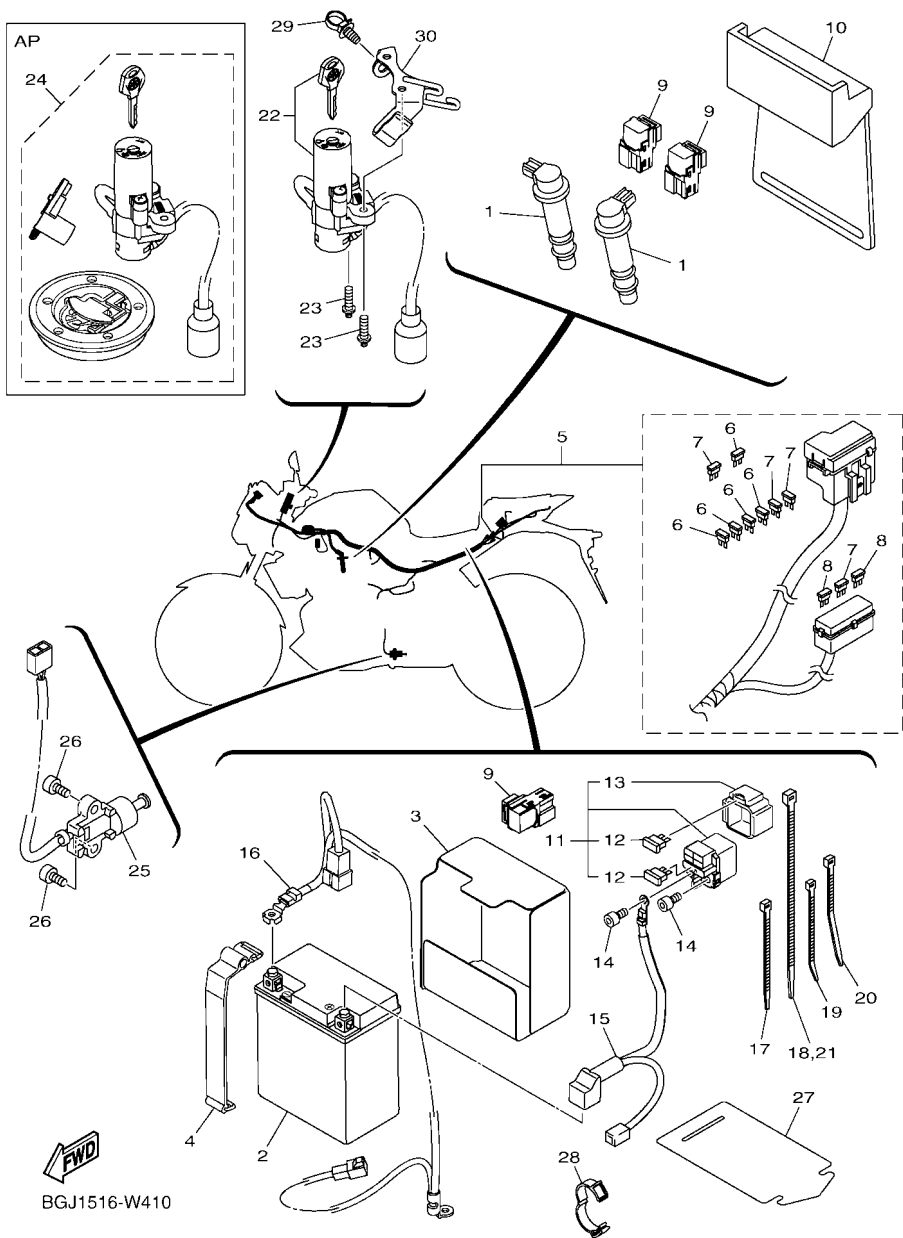


FIG. 41 ELECTRICAL 1

REF. NO.	PART NO.	DESCRIPTION	BFB1	REMARKS
1	B1X-82310-00	IGNITION COIL ASSY	2	
2	2YD-H2100-00	BATTERY ASSY (GS GTZ8V)	1	
3	1WD-H2121-00	PAD, BATTERY	1	
4	1WD-H2131-00	BAND, BATTERY	1	
5	BGJ-H2590-00	WIRE HARNESS ASSY	1	
6	1WD-H2151-20	.FUSE (7.5A BL)	5	
7	1WD-H2151-10	.FUSE (15A-BL)	4	
8	1WD-H2151-30	.FUSE (30A)	2	
9	1WD-H1950-00	RELAY ASSY	3	
10	BGJ-H252U-00	COVER	1	
11	1WD-H1940-00	STARTER RELAY ASSY	1	
12	1WD-H2151-01	.FUSE (30A)	2	
13	1WD-H2155-00	.BAND	1	
14	91312-05008	BOLT, HEXAGON SOCKET HEAD	2	
15	2WD-H2115-01	WIRE, PLUS LEAD	1	
16	B6W-H2116-00	WIRE, MINUS LEAD	1	
17	90464-36800	CLAMP	2	
18	90464-70800	CLAMP	7	
19	90464-22800	CLAMP	1	
20	90464-36005	CLAMP	4	
21	90464-70800	CLAMP	1	
22	BGJ-H2501-00	MAIN SWITCH STEERING LOCK	1	
23	90109-060G4	BOLT	2	
24	BGJ-XH250-00	MAIN SW. STRG. LOCK SUB ASSY	1	AP
25	1WD-H2566-01	SWITCH, SIDE STAND	1	
26	90110-05809	BOLT, HEXAGON SOCKET HEAD	2	
27	1WD-H2591-00	BAND	1	

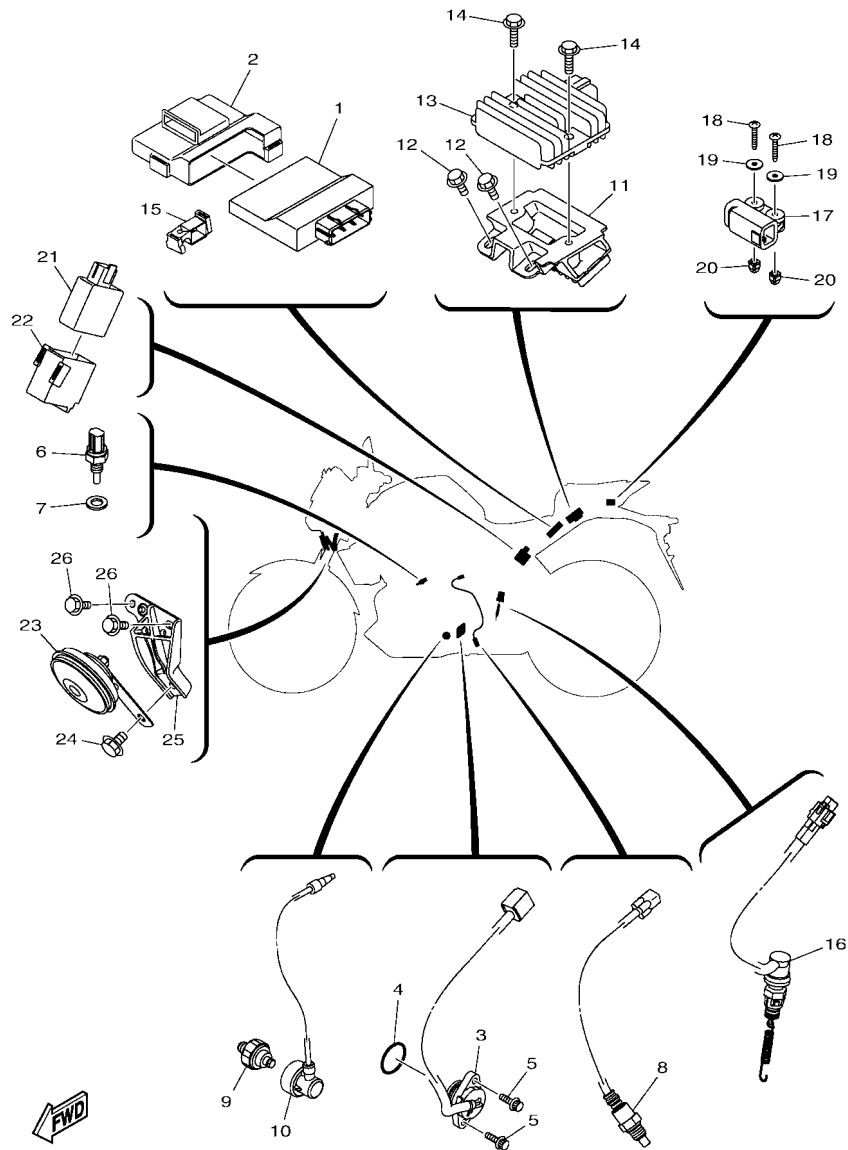


FWD
BGJ1516-W410

FIG. 41 ELECTRICAL 1

REF. NO.	PART NO.	DESCRIPTION	BFB1			REMARKS
28	90464-26001	CLAMP	1			
29	90464-30009	CLAMP	1			
30	B9T-F8358-00	STAY 3	1			
<hr/>						
<hr/>						
<hr/>						
<hr/>						
<hr/>						
<hr/>						
<hr/>						
<hr/>						
<hr/>						
<hr/>						

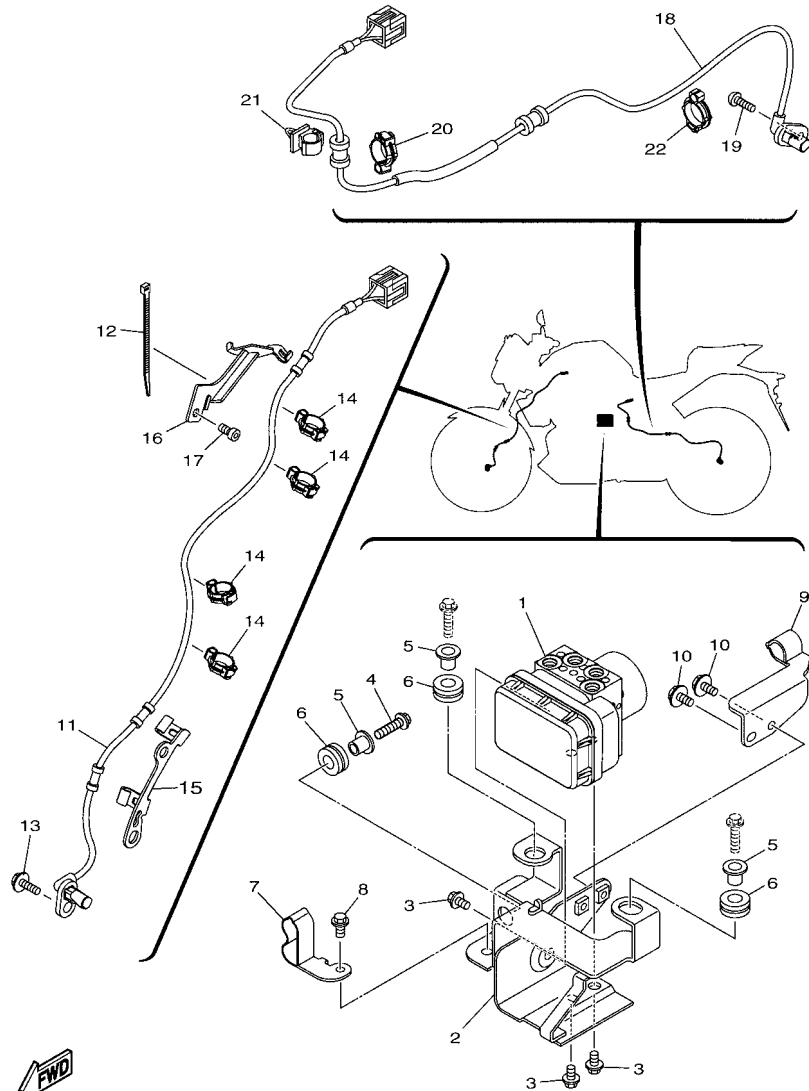
FIG. 42 ELECTRICAL 2



BFB1440-Y420

REF. NO.	PART NO.	DESCRIPTION	BFB1				REMARKS
1	B1X-H591A-20	ENGINE CONTROL UNIT ASSY	1				
2	B6W-H5546-00	BAND	1				
3	1WD-H2540-00	NEUTRAL SWITCH ASSY	1				
4	93210-21801	O-RING	1				
5	90110-05067	BOLT, HEXAGON SOCKET HEAD	2				
6	52B-H3591-00	THERMO UNIT	1				
7	90430-10804	GASKET	1				
8	B1X-H592A-00	SENSOR, OXYGEN	1				
9	1WS-82504-00	OIL PRESSURE SWITCH ASSY	1				
10	1WD-H1315-02	LEAD WIRE ASSY	1				
11	BR5-H1961-00	COVER	1				
12	95D02-06016	BOLT, FLANGE DEEP RECESS	2				
13	1WD-H1960-00	RECTIFIER & REGULATOR ASSY	1				
14	95D02-06025	BOLT, FLANGE DEEP RECESS	2				
15	BR5-H2592-00	BAND	1				
16	1WD-H2530-10	STOP SWITCH ASSY	1				
17	1WD-H2576-00	SENSOR, LEAN ANGLE	1				
18	90160-04009	SCREW, ROUND TAPPING	2				
19	90201-04028	WASHER, PLATE	2				
20	4B4-84334-00	NUT, ADJUSTING	2				
21	B9T-83400-00	FLASHER CONT. UNIT ASSY	1				
22	B9T-H3836-00	BAND	1				
23	B9T-H3371-01	HORN	1				
24	95D07-08012	BOLT, FLANGE DEEP RECESS	1				
25	1WD-H3378-00	STAY, HORN	1				
26	95D07-06016	BOLT, FLANGE DEEP RECESS	2				

FIG. 43 ELECTRICAL 3



B5W2110-V430

REF. NO.	PART NO.	DESCRIPTION	BFB1				REMARKS
1	B6W-H5930-09	HYDRAULIC UNIT ASSY	1				
2	B1X-F175T-00	BRACKET 1	1				
3	95022-06010	BOLT, FLANGE	3				
4	95022-06025	BOLT, FLANGE	1				
5	90387-06M60	COLLAR	3				
6	90480-14229	GROMMET	3				
7	2WD-F5886-00	HOLDER, BRAKE HOSE	1				
8	95027-06012	BOLT, FLANGE	1				
9	2WD-F5875-00	HOLDER, BRAKE HOSE 1	1				
10	95027-06012	BOLT, FLANGE	2				
11	2WD-85970-01	WHEEL SENSOR ASSY, FRONT	1				
12	90464-22800	CLAMP	1				
13	95027-06016	BOLT, FLANGE	1				
14	90464-12013	CLAMP	4				
15	B5L-F3318-00	WIRE, HOLDER 1	1				
16	B6W-F3319-00	WIRE, HOLDER 2	1				
17	91317-06012	BOLT, HEXAGON SOCKET HEAD	1				
18	2WD-85980-01	WHEEL SENSOR ASSY, REAR	1				
19	92012-06016	BOLT, BUTTON HEAD	1				
20	90464-14803	CLAMP	1				
21	90464-10800	CLAMP	1				
22	90464-14803	CLAMP	1				

NUMERICAL INDEX

PART NO.	REF. NO.	PART NO.	REF. NO.	PART NO.	REF. NO.	PART NO.	REF. NO.	PART NO.	REF. NO.	PART NO.	REF. NO.
1WD-11413-00	2 - 23	1WD-16382-00	13 - 19	1WD-E111G-00	1 - 15	1WD-E2671-00	6 - 9	5TP-E4747-00	32 - 48	1WD-E7261-00	14 - 17
1WD-11413-10	2 - 23	1WD-17424-00	14 - 28		1 - 25	5YP-E2675-00	6 - 10	1WD-E4758-00	9 - 3	1WD-E7402-00	14 - 13
1WD-11413-20	2 - 23	278-17425-00	14 - 12	1WD-E1133-10	1 - 2	1WD-E2681-00	5 - 11	B1X-E475P-00	9 - 22	1WD-E7411-01	14 - 1
1WD-11413-30	2 - 23		14 - 29	BS8-E1181-00	1 - 12	1WD-E319L-00	5 - 9	1WD-E4763-00	9 - 10	1WD-E7411-10	14 - 1
1WD-11413-40	2 - 23	26P-21568-11	24 - 67	B1X-E1191-00	1 - 16	B1X-E3300-00	7 - 1	1WD-E4840-10	1 - 31	1WD-E7460-00	14 - 31
B1X-11416-00	2 - 10	1WD-22141-00	20 - 2	B1X-E1193-00	1 - 17	1WD-E3341-00	7 - 3	1WD-E4881-00	1 - 32	1WD-E8101-00	16 - 4
B1X-11416-10	2 - 10	3AH-22222-00	22 - 5	B1X-E1195-00	1 - 18	1WD-E3342-00	7 - 4	1WD-E4882-02	1 - 34	B1X-E8110-00	16 - 11
B1X-11416-20	2 - 10	31A-23125-31	22 - 12	4YS-E1198-00	7 - 15	1WD-E3410-00	7 - 9	1WD-E4890-00	1 - 20	1WD-E8111-00	16 - 12
B1X-11416-30	2 - 10		22 - 25	1WD-E1311-10	1 - 26	B1X-E3414-00	7 - 16	1WD-E4899-00	1 - 21	B1X-E8112-00	16 - 17
B1X-11416-40	2 - 10	31A-23149-31	22 - 11	B1X-E1351-00	1 - 27	1WD-E3415-00	7 - 10	1WD-E5148-00	10 - 4	1EG-E8113-01	16 - 13
1WD-11650-00	2 - 2		22 - 24	1WD-E1361-00	1 - 8	B1X-E3417-01	7 - 13	B1X-E5150-00	10 - 1	1WD-E8115-00	16 - 14
5SL-11654-00	2 - 3	3R4-23153-00	22 - 9	1WD-E1411-10	2 - 1	1WD-E3440-10	7 - 11	B1X-E5155-00	10 - 15	1WD-E8127-10	16 - 2
1WD-11656-00	2 - 5		22 - 22	1WD-E1454-00	2 - 22	54P-E3474-00	8 - 37	1WD-E5362-00	5 - 18	1WD-E8140-01	16 - 8
1WD-11656-10	2 - 5	4V4-23188-L0	22 - 18	1WD-E1496-00	2 - 18	B1X-E3543-00	8 - 39	2MS-E5373-02	8 - 42	1WD-E8175-00	16 - 3
1WD-11656-20	2 - 5		22 - 36	1WD-E1531-00	2 - 15	1WD-E3556-00	8 - 6	BS7-E5377-00	11 - 21	1WD-E8337-00	16 - 1
1WD-11656-30	2 - 5	3FV-23462-00	22 - 39	1WD-E1536-00	2 - 6	1WD-E3573-00	8 - 15	1WD-E5411-00	11 - 1	1WD-E8511-00	15 - 4
B1X-12121-10	3 - 2	3C1-24512-00	23 - 23	1WD-E1549-00	2 - 7	B1X-E3635-00	8 - 1	1WD-E5413-10	11 - 16	1WD-E8512-00	15 - 5
1HX-12168-F0	3 - 9	1WD-25181-00	26 - 11	BS8-E1603-00	2 - 12	B1X-E3635-01	8 - 3	1WD-E5418-00	11 - 22	1WD-E8337-00	15 - 6
1HX-12168-H1	3 - 9	1WD-25381-00	28 - 21	B1X-E1631-00	2 - 11	1WD-E3761-00	8 - 4	B1X-E5421-00	5 - 1	1WD-E8531-00	15 - 7
1HX-12168-K1	3 - 9	5MT-25398-00	26 - 7	1WD-E1633-00	2 - 13	BS7-E3907-01	23 - 19	1WD-E5441-10	11 - 14	1WD-E8536-00	15 - 9
1HX-12168-M1	3 - 9		28 - 18	3C1-E2111-00	3 - 1	3C1-E3915-00	23 - 20	1WD-E5451-00	11 - 7	1WD-E8540-10	15 - 1
1HX-12168-R1	3 - 9	5MT-25398-10	26 - 7	B1X-E2113-00	3 - 4	1WD-E3938-00	8 - 14	1WD-E5461-00	11 - 10	5TP-E8542-00	15 - 2
1HX-12168-U1	3 - 9		28 - 18	1WD-E2117-00	3 - 5	1WD-E3971-02	23 - 27	B1X-E5462-00	11 - 17	1WD-E8562-00	15 - 10
1HX-12168-W1	3 - 9	5MT-25398-20	26 - 7	3S0-E2118-00	3 - 6	54P-E416A-00	8 - 13	1WD-E5514-00	12 - 1	B04-F1110-01-P1	17 - 1
1HX-12168-Y1	3 - 9		28 - 18	1PA-E2119-00	3 - 8	1WD-E4243-00	8 - 11	1WD-E5515-10	12 - 3	B5L-F113J-00	18 - 7
1HX-12169-11	3 - 9	1WD-25802-00	27 - 4	BS8-E2119-00	3 - 7	BR5-E4411-00	8 - 23	44D-E5521-00	12 - 2	B5L-F113K-01	18 - 8
1HX-12169-31	3 - 9	1WD-25802-50	29 - 4	1WD-E2126-00	3 - 3	B1X-E4412-00	8 - 27	1WD-E5580-00	12 - 4	2MS-F115R-00	23 - 45
1HX-12169-50	3 - 9	1WD-25803-00	27 - 5	1WD-E2153-11	3 - 10	1WD-E4422-00	8 - 31	1WD-E6111-00	13 - 1	1WD-F1171-00	17 - 15
1HX-12169-70	3 - 9	1WD-25803-50	29 - 5	B1X-E2170-00	4 - 1	BR5-E4437-00	8 - 26	1WD-E6150-00	13 - 2	BGJ-F117F-00	17 - 20
1HX-12169-90	3 - 9	1WD-25805-00	27 - 12	1WD-E2176-00	4 - 3	52B-E443E-00	8 - 35	1WD-E6154-00	13 - 3	1WD-F117K-00	25 - 12
1HX-12169-E0	3 - 9	1WD-25806-00	29 - 15	B1X-E2180-00	4 - 2	40D-E443G-00	28 - 30	1WD-E6181-00	13 - 13	BGJ-F117M-00	17 - 22
1HX-12169-G0	3 - 9	5RB-25854-00	31 - 3	1WD-E2213-00	4 - 9	1WD-E4451-00	8 - 34	1WD-E6324-00	13 - 6	B1X-F122A-00	17 - 25
1HX-12169-J0	3 - 9	36Y-2589H-00	31 - 5	33S-E2223-00	5 - 7	1WD-E4452-00	8 - 28	1WD-E6331-00	13 - 5	B04-F122B-00	17 - 26
1HX-12169-L0	3 - 9	5KN-25926-01	29 - 17	1WD-E2241-01	1 - 23	1WD-E4457-00	8 - 29	1WD-E6333-10	13 - 8	2MS-F134X-00	23 - 46
1HX-12169-N0	3 - 9	34X-25937-00	29 - 7	1WD-E2251-00	4 - 11	1WD-E4462-00	8 - 32	1WD-E6337-00	13 - 9	1WD-F135F-00	17 - 12
1HX-12169-T0	3 - 9	4SS-27218-00	33 - 3	1WD-E2252-01	4 - 12	B1X-E4465-00	8 - 19	1WD-E6340-00	13 - 15	B9T-F137K-00	24 - 22
B1X-12210-00	4 - 6	3KW-27234-00	33 - 8	1WD-E2256-00	4 - 14	2MS-E4466-00	8 - 20	1WD-E6350-01	13 - 7	B9T-F137L-00	24 - 44
5PO-12411-01	6 - 1	4BP-27261-00	32 - 25	1WD-E2405-00	6 - 8	B1X-E4469-00	8 - 24	1WD-E6356-00	13 - 14	B9T-F137U-00	6 - 18
5NL-12564-00	1 - 28	B1X-82310-00	41 - 1	1WD-E2413-00	6 - 2	B1X-E446C-00	8 - 25	1WD-E6371-00	13 - 4	B9T-F137V-00	6 - 19
8GL-13571-00	8 - 16	1WS-82504-00	42 - 9	1WD-E2422-00	5 - 13	B04-E449E-00	24 - 62	1WD-E7121-00	14 - 7	B9T-F137W-00-3E	24 - 48
5JW-14104-00	8 - 9	B9T-83400-00	42 - 21	1WD-E2428-00	5 - 14	B1X-E4602-00	9 - 1	1WD-E7131-00	14 - 5	B9T-F137W-00-P6	24 - 48
8A7-14139-00	8 - 8	31A-83913-00	40 - 13	1WD-E2450-00	5 - 5	1WD-E4613-00	9 - 17	1WD-E7151-01	14 - 2	B9T-F137X-00-3E	24 - 55
5PS-14147-00	8 - 5	31A-83945-00	40 - 12	1WD-E2453-00	5 - 6	B1X-E4628-00	9 - 21	1WD-E7161-01	14 - 6	B9T-F137X-00-P6	24 - 55
895-14169-00	8 - 7	4B4-84334-00	42 - 20	33S-E2456-00	5 - 8	BR5-E4710-00	9 - 2	1WD-E7211-00	14 - 23	1WD-F144G-00	32 - 28
1WS-14335-00	8 - 18	1WS-85801-01	8 - 12	B04-E2461-00	6 - 11	54D-E4714-00	9 - 11	1WD-E7221-00	14 - 14	BS7-F1511-00-3E	18 - 1
8HG-14534-00	8 - 17	2WD-85970-01	43 - 11	B04-E2462-10	6 - 12	1WD-E4715-00	9 - 12	1WD-E7231-00	14 - 18	BS7-F1511-00-PA	18 - 1
5VY-1482K-00	1 - 19	2WD-85980-01	43 - 18	1WD-E2577-00	6 - 4	1WD-E4728-00	9 - 6	1WD-E7241-00	14 - 19	B04-F1533-00	24 - 66
2H7-15361-00	5 - 17	B1X-E1102-01	1 - 1	1WD-E2578-00	6 - 5	5TP-E4747-00	17 - 31	1WD-E7251-00	14 - 22	5BP-F153E-11	18 - 35

NUMERICAL INDEX

PART NO.	REF. NO.	PART NO.	REF. NO.	PART NO.	REF. NO.	PART NO.	REF. NO.	PART NO.	REF. NO.	PART NO.	REF. NO.
5BP-F153E-F0	18 - 35	1WD-F193A-00	17 - 3	B9T-F4129-00-3E	24 - 7	1WD-F5364-00	28 - 5	5YP-F5917-00	29 - 6	B9T-F8357-00	38 - 23
B9T-F1557-00	6 - 20	1WD-F2110-00	20 - 1	B9T-F4129-00-P0	24 - 7	1WD-F5366-01-P1	28 - 6	1WD-F5919-00	27 - 10	B9T-F8358-00	41 - 30
BR5-F1611-01	18 - 13	1WD-F2129-01	20 - 3	B9T-F412Y-00	23 - 5	1WD-F5366-01-P4	28 - 6	1WD-F5919-50	29 - 9	1PA-F836B-01	19 - 59
1WD-F1617-01	18 - 21	1WD-F2151-00	20 - 7	B9T-F4139-00-3E	24 - 26	1WD-F5377-00	28 - 9	2WD-F5921-50	29 - 12	B9T-F836K-00	24 - 50
1WD-F1621-01	18 - 31	1WD-F2174-00	28 - 27	B9T-F4139-00-P0	24 - 26	1WD-F537W-00	28 - 11	5YP-F5924-50	27 - 11	B9T-F836L-00	24 - 57
B1X-F1629-00	18 - 20	1WD-F2184-00	20 - 4	1WD-F413B-01	24 - 68	1WD-F537X-00	28 - 12	1WD-F5924-50	29 - 10	B9T-F837N-00	24 - 54
1WD-F163A-00	18 - 33	BS7-F2210-20	20 - 14		24 - 69	1WD-F5383-00	28 - 23	5YP-F5925-01	27 - 9	B9T-F837R-00	24 - 61
BR5-F163E-01	18 - 18	1WD-F2311-01	20 - 11	5D9-F414G-00	17 - 4	1PA-F5386-00	26 - 10		29 - 11	BGJ-F8385-00-P0	19 - 48
B04-F1642-00	24 - 65	1WD-F248B-00	20 - 9	B04-F414G-00	17 - 14	1WD-F5386-00	28 - 22	5YP-F5937-00	27 - 7	B9T-F838N-00	24 - 18
1WD-F1652-00	17 - 2	B9T-F3100-10	22 - 1	2MS-F4170-00	23 - 42	1WD-F5388-00	28 - 26	1WD-F5939-51	29 - 13	B9T-F838R-00	24 - 40
B17-F1668-00	20 - 17	B9T-F3102-00	22 - 19	1DW-F4180-02	23 - 35	1WD-F539F-00	28 - 13	1WD-F5939-61	29 - 14	B9T-F8391-60	24 - 71
1WD-F1669-00	18 - 14	B9T-F3103-10	22 - 2	B3M-F4188-00	38 - 46	1WD-F5443-00	28 - 10	B9T-F6111-00	30 - 1	B9T-F8391-70	24 - 71
1WD-F1688-00	18 - 26	BS7-F3110-00	22 - 20	BS7-F4188-00	23 - 2	1WD-F5807-00	31 - 2	2DP-F6240-00	30 - 3	B9T-F8392-60	24 - 72
1WD-F1689-00	18 - 27	BS7-F3111-00	22 - 17	BS7-F4191-01	23 - 10	1WD-F5808-00	33 - 2	2DP-F6241-00	30 - 2	B9T-F8392-70	24 - 72
1WD-F16A2-00	18 - 17		22 - 35	B1X-F419A-00	23 - 54	1WD-F580E-00	33 - 1	1WD-F6246-00	30 - 4	B9T-F83D3-00	38 - 28
1WD-F1711-00-3E	19 - 1	BK6-F3117-00	22 - 32	B1X-F419E-00	23 - 43	1WD-F580U-01	27 - 3	BGJ-F6280-00	30 - 11	B9T-F83D4-00	38 - 32
1WD-F1711-00-PC	19 - 1	BS7-F3118-00	22 - 33	B1X-F419F-00	23 - 37	2WD-F580W-00	29 - 3	BGJ-F6290-00	30 - 12	1WD-H1315-02	42 - 10
B9T-F1716-00	19 - 42	B9T-F3120-10	22 - 3	B9T-F41B1-00-P2	24 - 1	B6W-F6301-00	31 - 21	BGJ-F6301-00	30 - 7	BS7-H1410-00	34 - 2
B9T-F171A-00-3E	24 - 37	B9T-F3126-00	22 - 14	B9T-F41B1-00-P3	24 - 1	2WD-F581K-00	33 - 22	B9T-F6315-00	30 - 9	BR5-H1450-00	34 - 1
B9T-F171A-00-P0	24 - 37		22 - 27	B04-F4254-F0	24 - 70	1WD-F581U-01	27 - 1	B9T-F6335-00	30 - 6	1WD-H1800-00	35 - 1
B9T-F171E-00-3E	19 - 38	B9T-F3141-00	22 - 6	B04-F4254-G0	24 - 70	50C-F7211-00	33 - 5	1WD-F7211-00	32 - 24	1WD-H1801-00	35 - 2
B9T-F171E-00-P0	19 - 38		22 - 31	1WD-F4312-01	23 - 28	B04-F582E-00	33 - 21	50C-F7222-00	33 - 4	1WD-H1828-00	35 - 4
1WD-F171L-00	19 - 16	B48-F3144-00	22 - 8	B9T-F4314-00	23 - 29	2WD-F582J-00	33 - 25	BS8-F7261-00	16 - 18	4FP-H182L-00	35 - 6
1WD-F171M-00	19 - 19		22 - 21	2MS-F4314-01	23 - 33	1WD-F582W-00	29 - 1	1WD-F7311-00	32 - 1	1WD-H183G-00	35 - 5
1WD-F171N-00	19 - 22	BK6-F3145-00	22 - 10	2MS-F4315-00	23 - 40	5TL-F5838-00	29 - 18	B04-F7321-00	32 - 2	1WD-H1861-00	35 - 3
B9T-F171X-00-3E	19 - 40		22 - 23	B1X-F4316-00	23 - 49	1WD-F5852-00	31 - 4	1WD-F7430-01	32 - 32	1WD-H1940-00	41 - 11
B9T-F171X-00-P0	19 - 40	2BU-F3158-00	22 - 29	B1X-F4317-00	23 - 51	1WD-F5852-50	33 - 12	1WD-F7431-01	32 - 33	1WD-H1950-00	41 - 9
1WD-F1721-00-3E	19 - 8	B9T-F3170-00	22 - 28	1WD-F4376-00	23 - 31	2VN-F5854-00	33 - 10	1WD-F7435-00	32 - 11	1WD-H1960-00	42 - 13
1WD-F1721-00-PC	19 - 8	BK6-F3171-00	22 - 13	B1X-F4421-00	23 - 53	3C1-F5855-00	31 - 7		32 - 20	BR5-H1961-00	42 - 11
B9T-F1726-00	19 - 45		22 - 26	3C1-F4486-00	23 - 25	50C-F5855-00	33 - 11	1WD-F7437-00	32 - 36	2YD-H2100-00	41 - 2
BS7-F172W-00	19 - 31	31B-F3181-00	22 - 30	BS7-F4491-00	23 - 24	50C-F5866-00	33 - 6		32 - 44	2WD-H2115-01	41 - 15
1WD-F1731-00-3E	19 - 36	BK6-F319U-00	22 - 7	3C1-F4519-00	23 - 22	3RW-F5867-00	31 - 6	1WD-F7440-01	32 - 40	B6W-H2116-00	41 - 16
1WD-F1731-00-PA	19 - 36	BK6-F330G-00	22 - 4	1WD-F4710-02	25 - 1	1WD-F5870-00	31 - 1	1WD-F7441-01	32 - 41	1WD-H2121-00	41 - 3
1WD-F1732-00	39 - 7	B5L-F3318-00	43 - 15	1WD-F4711-01	25 - 2	B6W-F5872-00	31 - 17	1WD-F7442-01	32 - 9	5D9-H2126-00	23 - 3
BEV-F173E-00	19 - 60	B6W-F3319-00	43 - 16	3C1-F4741-00	25 - 6	2WD-F5873-00	31 - 24	1WD-F7443-00	32 - 18	1WD-H2131-00	41 - 4
BEV-F173E-10	19 - 60	BK6-F332K-00	22 - 15	5BP-F4741-00	25 - 3	B5L-F5874-00	31 - 27	1WD-F7445-00	32 - 15	5TL-H2131-00	25 - 16
BEV-F173F-00	19 - 61	BS7-F3340-00	22 - 38	1WD-F4750-01	25 - 5	2WD-F5875-00	43 - 9	1WD-F7446-00	32 - 31	1WD-H2151-01	41 - 12
BEV-F173F-10	19 - 61	B08-F334G-00	38 - 42	1WD-F4780-00	25 - 7	B5L-F587A-00	31 - 35	1WD-F7451-00	32 - 10	1WD-H2151-10	41 - 7
B1X-F175T-00	43 - 2	BS7-F334M-00	22 - 37	1WD-F478E-00	25 - 10	2WD-F5886-00	43 - 7	1WD-F7461-00	32 - 19	1WD-H2151-20	41 - 6
B9T-F175T-00	6 - 21	BK6-F3357-00	22 - 34	1WD-F4792-00	25 - 8	2WD-F5887-00	33 - 28	B9T-F8100-00	25 - 15	1WD-H2151-30	41 - 8
B9T-F175U-00	6 - 22	BK6-F3393-00	22 - 16	2MS-F483H-00	23 - 44	B6W-F5887-00	31 - 34	31B-F8307-00	19 - 15	1WD-H2155-00	41 - 13
45P-F1778-00	6 - 29	5BP-F3416-10	21 - 2	1WD-F510C-01	26 - 2	B9T-F588F-00	31 - 15	B9T-F831V-00-3E	38 - 11	BGJ-H2501-00	41 - 22
1WD-F1816-02	19 - 28	5BP-F3418-00	21 - 5	BS7-F5168-10-P0	26 - 1	2WD-F588G-01	31 - 30	B9T-F831V-00-P4	38 - 11	BGJ-H252U-00	41 - 10
1WD-F1817-02	19 - 29	B9T-F3435-00	21 - 6	BS7-F5168-10-P1	26 - 1	50C-F5894-10	33 - 9	BGJ-F833E-00	19 - 57	1WD-H2530-10	42 - 16
3C1-F1828-00	19 - 27	B04-F3441-00-P2	21 - 10	2DP-F517G-00	26 - 8	1WD-F5895-50	33 - 13	BGJ-F833F-00	19 - 49	1WD-H2540-00	42 - 3
1WD-F1871-01	19 - 24	B9T-F3442-00	21 - 13		28 - 19	50C-F589A-00	33 - 15	BGJ-F833G-00	19 - 50	1WD-H2566-01	41 - 25
1WD-F1875-01	19 - 26	BS7-F4110-00	23 - 1	BS7-F5338-10-P0	28 - 1	1WD-F5914-50	29 - 16	B9T-F8345-00	38 - 24	1WD-H2576-00	42 - 17
1WD-F191B-00	17 - 6	1PA-F411J-00	38 - 19	BS7-F5338-10-P1	28 - 1	5YP-F5917-00	27 - 8	B9T-F8356-00	38 - 39	BGJ-H2590-00	41 - 5

NUMERICAL INDEX

PART NO.	REF. NO.	PART NO.	REF. NO.	PART NO.	REF. NO.	PART NO.	REF. NO.	PART NO.	REF. NO.	PART NO.	REF. NO.
1WD-H2591-00	41 - 27	1WD-WF479-00	25 - 11	90111-05021	18 - 22	90179-20013	14 - 33	90201-10118	31 - 29	90340-18002	1 - 4
BR5-H2592-00	42 - 15	BGJ-XH250-00	41 - 24	90111-05056	24 - 38	90179-25615	21 - 3		33 - 24	90340-27008	10 - 13
1WD-H2910-00	40 - 9	90105-06027	1 - 3	90111-06013	32 - 16	90183-05076	18 - 16		33 - 27	90340-32819	11 - 5
1WD-H2911-00	40 - 10		7 - 8	90111-06029	38 - 26		24 - 15	90201-10119	7 - 6	90387-05042	39 - 16
5BP-H2917-00	40 - 16	90105-07800	4 - 4	90111-06086	38 - 31		24 - 34	90201-10843	13 - 16	90387-06130	6 - 23
BGJ-H330A-00	36 - 1	90105-088F7	10 - 6		38 - 35		38 - 6	90201-10845	1 - 9	90387-06242	20 - 12
B1X-H330A-10	36 - 3	90105-088F8	2 - 16	90111-06117	19 - 51	90183-050A7	18 - 23	90201-10848	2 - 9		38 - 25
B1X-H330B-00	36 - 4	90105-088G0	10 - 7		39 - 2		19 - 4		34 - 5	90387-06273	9 - 8
BGJ-H330B-00	36 - 2	90105-088G7	9 - 19	90111-06119	20 - 13		19 - 11	90201-10854	17 - 8	90387-064W3	6 - 16
B9T-H3371-01	42 - 23	90105-106A7	32 - 5	90111-06121	33 - 20	90183-05807	19 - 3	90201-127E1	16 - 7	90387-066J9	18 - 28
1WD-H3378-00	42 - 25	90105-10883	2 - 8	90111-06137	18 - 2		19 - 10	90201-16812	2 - 19	90387-067V1	39 - 3
BGJ-H3500-01	37 - 1		34 - 4	90111-06151	6 - 24		19 - 39	90201-17809	28 - 25	90387-06857	19 - 25
B9T-H3519-00	37 - 5	90105-10889	17 - 9	90111-06802	9 - 4		19 - 41	90201-20023	14 - 32	90387-06899	18 - 4
B5P-H3571-01	37 - 2	90105-10891	17 - 10	90111-06847	9 - 9		24 - 6	90201-20276	14 - 25		18 - 10
BS7-H3572-01	37 - 3	90105-12093	20 - 15		18 - 5		24 - 8	90201-22013	13 - 12		19 - 6
52B-H3591-00	42 - 6	90105-12309	20 - 8	90111-06860	9 - 23		24 - 21	90202-05180	24 - 39		19 - 13
B9T-H3836-00	42 - 22	90105-14102	21 - 8	90111-06870	38 - 21		24 - 27	90202-26142	21 - 4		19 - 52
1WD-H3912-00	40 - 11	90109-05003	18 - 32	90111-08087	27 - 2		24 - 43	90206-14001	16 - 19		24 - 3
1WD-H3922-00	31 - 8	90109-060G4	41 - 23		29 - 2		24 - 49	90209-25011	14 - 15		24 - 10
3AY-H3936-00	40 - 21	90109-063F1	18 - 15	90116-10065	28 - 14		24 - 53	90214-22008	14 - 3		24 - 29
3RS-H3936-00	40 - 6	90109-06577	31 - 10	90119-05020	24 - 17		24 - 56		14 - 20		38 - 30
B9T-H3972-00	40 - 1	90109-06898	1 - 14		24 - 36		24 - 60	90215-18800	13 - 10		38 - 34
BGJ-H3975-00	40 - 3	90109-06899	1 - 24	90119-06209	17 - 21		38 - 10	90240-08124	33 - 16	90387-068L9	18 - 29
2DP-H3980-01	31 - 11	90109-068B2	24 - 5		17 - 23		38 - 14	90240-08145	32 - 13	90387-068M3	23 - 7
B9T-H411E-00	38 - 4	90109-085G6	32 - 17	90119-06309	24 - 4		38 - 17		32 - 22	90387-068N4	9 - 14
B9T-H4144-00	38 - 7		32 - 30	90119-06810	19 - 7		39 - 5		32 - 37	90387-068S8	23 - 12
B9T-H4196-00	38 - 22	90110-05032	11 - 2		19 - 14	90183-05M02	24 - 52		32 - 45	90387-06M60	43 - 5
B9T-H4300-00	38 - 1	90110-05067	42 - 5	90123-08083	40 - 18		24 - 59	90269-05008	23 - 36	90387-07819	17 - 17
B9T-H4369-00-P4	38 - 18	90110-05806	23 - 16	90149-05029	26 - 9		38 - 27	90269-06816	6 - 26	90387-08813	17 - 30
B9T-H4410-00	38 - 15	90110-05809	41 - 26		28 - 20	90183-06011	9 - 16		18 - 19		32 - 49
2SN-H4527-00	38 - 43	90110-06087	24 - 11	90149-10044	27 - 13	90183-06818	9 - 5		18 - 34	90387-09801	19 - 54
BS7-H4547-00	39 - 10		24 - 30	90151-03005	40 - 17		17 - 19		19 - 2	90387-10010	32 - 6
B9T-H454L-00	38 - 45	90110-06161	4 - 13	90159-06054	25 - 13		42 - 19		19 - 9	90387-10107	24 - 14
1WD-H4710-02	39 - 1		4 - 15	90160-04009	42 - 18		39 - 14		19 - 18		24 - 33
1WD-H4726-00	39 - 11		10 - 16	90160-05009	24 - 19		38 - 37		19 - 21	90387-17810	28 - 2
BS7-H4740-10	39 - 8		12 - 5		24 - 25		39 - 19		23 - 48	90387-20814	14 - 24
1WD-H4744-00	39 - 9	90110-06177	34 - 3		24 - 41		37 - 8		24 - 20	90388-10816	17 - 5
1WD-H4753-00	39 - 12	90110-06178	11 - 15		24 - 47		6 - 15		24 - 42		21 - 7
2FC-H5111-00	18 - 11	90110-06182	15 - 11		38 - 9		9 - 15	90269-07012	6 - 25	90401-10812	31 - 18
3C1-H5130-00	39 - 17	90110-06865	38 - 44		38 - 13		19 - 33	90269-07076	24 - 63		31 - 22
B6W-H5546-00	42 - 2	90110-06870	1 - 10	90160-05012	6 - 27		33 - 17	90269-09001	24 - 64		31 - 25
BS7-H5752-00	23 - 21	90110-08071	32 - 39	90160-05810	19 - 37		9 - 20	90280-05013	34 - 6		31 - 28
B1X-H591A-20	42 - 1		32 - 47	90170-06023	16 - 15		16 - 20	90282-04036	2 - 17		33 - 23
B1X-H592A-00	42 - 8	90111-05003	19 - 32	90170-18221	13 - 11		32 - 26	90338-06018	6 - 28		33 - 26
B6W-H5930-09	43 - 1		19 - 43	90176-06065	31 - 33	90201-10074	21 - 15	90338-06810	21 - 12	90401-20011	7 - 12
4C9-W0048-00	27 - 6		19 - 46	90179-07652	2 - 4	90201-10118	31 - 19	90338-16262	10 - 2	90413-06031	8 - 21
5YP-W0048-50	29 - 8		38 - 5	90179-08316	40 - 19		31 - 23	90338-23801	17 - 13	90430-06014	4 - 8
BS7-WF461-00	23 - 15	90111-05018	18 - 25	90179-10805	17 - 11		31 - 26	90340-12808	7 - 14		5 - 15

NUMERICAL INDEX

PART NO.	REF. NO.	PART NO.	REF. NO.	PART NO.	REF. NO.	PART NO.	REF. NO.	PART NO.	REF. NO.	PART NO.	REF. NO.
90430-06014	10 - 12	90480-01559	24 - 24	91312-06010	5 - 12	93320-32403	20 - 5	95302-06600	16 - 16	97702-50016	25 - 14
90430-08119	1 - 6		24 - 35	91317-06012	43 - 17	93399-99932	22 - 40	95302-08600	28 - 29		37 - 7
90430-08143	11 - 4		24 - 46	91317-06020	30 - 5	93399-999Y3	21 - 1	95602-05100	39 - 18	97702-50025	8 - 30
90430-10804	42 - 7	90480-01806	23 - 18	91317-08025	21 - 11	93440-24200	14 - 4	95602-06100	31 - 9	97707-30020	37 - 4
90445-217G3	32 - 8	90480-10003	39 - 6	91317-08030	21 - 9		14 - 21		40 - 15	97707-30505	6 - 13
90450-28001	6 - 7	90480-11009	39 - 15	91317-10020	17 - 27	93440-28184	14 - 16	95602-06200	18 - 30	97707-40020	39 - 13
90450-52801	8 - 2	90480-12581	9 - 7	91317-10040	22 - 41	93440-52009	14 - 9	95602-10200	28 - 15	97707-50016	18 - 24
90462-08806	11 - 20	90480-12808	18 - 3	91317-10045	17 - 28	93450-16068	2 - 14		32 - 7		19 - 17
90462-08810	7 - 18		18 - 9	91317-10060	17 - 7	93501-04830	32 - 35	95602-12100	20 - 10		19 - 20
90462-08819	11 - 19		19 - 5	91332-06020	1 - 22		32 - 43		20 - 16		19 - 23
90464-08008	19 - 58		19 - 12	91401-20012	33 - 18	93605-10090	2 - 21	95602-14200	20 - 6		24 - 23
90464-10800	43 - 21		19 - 53	91401-25015	32 - 14	93900-00828	26 - 6		26 - 12		24 - 45
90464-12013	43 - 14		24 - 2		32 - 23		28 - 17	95602-16200	28 - 24		24 - 51
90464-12015	17 - 24		24 - 12		32 - 38	94111-17801	26 - 5	95607-08200	9 - 24		24 - 58
90464-14803	43 - 20		24 - 31		32 - 46	94114-17802	28 - 16	95607-10100	21 - 14		38 - 3
	43 - 22		38 - 20	92012-06014	38 - 40	94568-H3112	28 - 31	95612-08625	1 - 7		38 - 8
90464-15014	23 - 38		38 - 29	92012-06016	43 - 19	94568-K0118	4 - 5	95702-05500	18 - 12		38 - 16
90464-16003	40 - 7		38 - 33	92012-08030	33 - 19	94700-00436	1 - 11	95702-06500	18 - 6		38 - 38
90464-16006	23 - 55	90480-13001	39 - 4	92014-08012	11 - 3	95022-06008	4 - 7	95707-06500	25 - 9	98502-06012	8 - 10
90464-16012	23 - 32	90480-13398	17 - 16	92902-08600	13 - 20	95022-06010	43 - 3	95707-08500	9 - 18	98507-04025	40 - 2
90464-22800	41 - 19	90480-14004	38 - 36		28 - 28	95022-06012	19 - 56	95802-06010	30 - 10	98507-04030	40 - 4
	43 - 12	90480-14229	37 - 6	92907-10600	17 - 29		25 - 4		32 - 29	98902-05020	8 - 33
90464-26001	41 - 28		43 - 6	93101-20802	14 - 11		38 - 41	95807-06014	19 - 34	99002-07600	13 - 21
90464-30001	40 - 8	90480-15807	23 - 11		14 - 27	95022-06014	17 - 18	95812-06020	4 - 10	99009-08400	5 - 10
90464-30009	33 - 30	90480-15808	6 - 17	93102-12891	16 - 10	95022-06020	6 - 3	95812-06035	10 - 8	99009-10400	7 - 5
	41 - 29	90480-17007	24 - 13	93102-15801	5 - 4		31 - 16	95812-06045	10 - 9		13 - 17
90464-36005	41 - 20		24 - 32	93102-35808	14 - 30		31 - 20	95812-06065	10 - 10	99009-12400	16 - 6
90464-36800	41 - 17	90480-18418	19 - 55	93106-23002	28 - 4	95022-06025	5 - 16	95812-08070	10 - 11	99009-15500	7 - 2
90464-70800	41 - 18	90480-18813	23 - 6	93106-26815	26 - 3		7 - 17	95817-06012	23 - 9	99530-08012	7 - 7
	41 - 21	90501-06022	15 - 3	93106-38046	28 - 8		11 - 9	95817-10025	32 - 3		11 - 8
90467-08003	19 - 30	90501-080A2	15 - 8	93210-068F7	10 - 17		11 - 12	95827-06025	6 - 14		11 - 11
90467-09006	8 - 22	90501-12743	32 - 34	93210-108H5	40 - 14		11 - 18	95D02-06012	31 - 14	99530-10014	10 - 5
	23 - 34		32 - 42	93210-12803	10 - 3		11 - 23	95D02-06016	42 - 12	99530-14016	1 - 13
	23 - 41	90501-22800	2 - 20	93210-15620	33 - 7		24 - 73	95D02-06025	42 - 14		1 - 30
	23 - 50	90506-23812	32 - 4	93210-16716	1 - 29		35 - 7	95D07-06016	42 - 26		
90467-11009	23 - 52	90506-26807	32 - 27	93210-21801	42 - 4		43 - 4	95D07-08012	42 - 24		
90467-110A3	8 - 36	90508-18136	13 - 18	93210-27807	5 - 19	95022-06050	11 - 13	95D32-06010	8 - 38		
90467-12052	8 - 41	90508-183B9	32 - 12	93210-32172	10 - 14	95022-08012	1 - 5	95D37-06014	33 - 29		
90467-12085	33 - 14		32 - 21	93210-32816	11 - 6	95022-08014	23 - 14	97012-06020	16 - 21		
90467-13802	8 - 40	90508-29806	16 - 5	93306-20314	28 - 3	95027-06012	31 - 31	97022-06030	23 - 8		
	8 - 43	90520-02843	23 - 4	93306-255Y9	14 - 8		31 - 32		23 - 13		
90467-15012	23 - 30	90520-10834	38 - 2	93306-302X4	26 - 4		43 - 8	97507-06525	40 - 20		
90467-16800	1 - 36	90520-20819	38 - 12	93306-30450	28 - 7		43 - 10	97602-04212	31 - 12		
90467-16801	1 - 33	90560-06244	19 - 35	93311-420Y3	14 - 10	95027-06016	23 - 47	97607-05220	40 - 5		
	1 - 35	91312-05008	41 - 14		14 - 26		43 - 13	97702-50016	19 - 44		
90467-250A1	6 - 6	91312-05010	23 - 17	93315-21570	5 - 3	95027-06025	31 - 13		19 - 47		
90480-01558	17 - 32		23 - 26	93317-11096	5 - 2	95027-08012	23 - 39		24 - 9		
90480-01559	24 - 16		30 - 8	93317-11295	16 - 9	95027-08035	9 - 13		24 - 28		